

Evolution Island Display Rack

Installation Instructions for all Evolution IDR installations



Parts List:

(QTY or parts increases with multi-column installations)

IDR BASE

(two required for standard install)

- (2) IDR Uprights, L or T shaped
- (varies) Self-drilling Screws
- (4) Footer Pads
- (2) WW Brackets (per rack)
- (varies) Wine Rods

- (2 per Rod) Wine Rod Screws
- (1) 5mm Allen Key

IDR Extension

- (1) IDR Upright, L or T shaped
- (varies) Self-drilling Screws
- (1) wwl Bracket (per rack)
- (varies) Evolution Wine Rods
- (2 per Rod) Evolution Screw

Required Tools

- Drill (with torque setting)
- Phillips head drill bit
- Phillips head screwdriver
- Pencil or Marker
- M6 Driver (optional for Extensions)
- A handy friend

These installation instructions will assist you with installing the VintageView Evolution Island Display Rack (base only or with extensions).

1. THREAD FOOTER PADS

Thread footer pads into the bottom of the uprights.

If using optional casters, please refer to those instructions for additional installation steps.

2. MARK ASSEMBLY HOLES

Starting at the top end of each Upright, lay all Evolution Wine Wall Mounting Brackets in desired locations. Ensure each Bracket is flush with the Upright post.

Mark all mounting hole locations (Figure A) on the front side (or both the front and the back side if installing a double-sided Evolution IDR System).

If assembling a Presentation Row model, ensure the Wine Wall Presentation Row Bracket is placed at the top of the Upright (Figure B).

3. PRE-DRILL MOUNTING HOLES

Using the provided Drill Bit, pre-drill all marked mounting hole locations.

Please note: Uprights may have predrilled mounting holes for use with other products. Do not use those for this application.

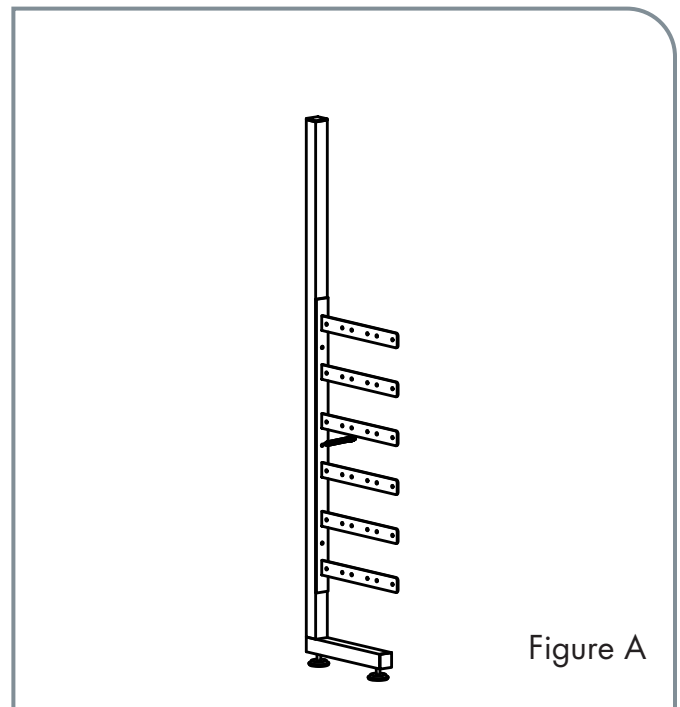


Figure A

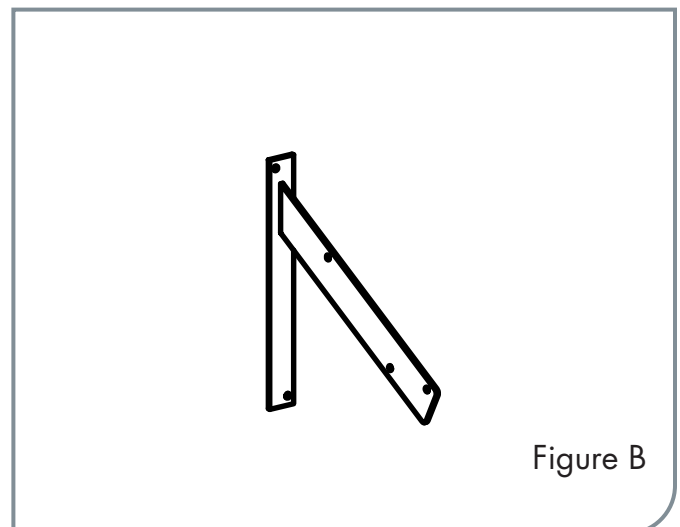


Figure B



4. INSTALL MOUNTING BRACKETS

Using self-drilling screws (provided), attach the first Wine Wall Bracket to the first Upright, starting from the top set of Mounting Holes on the Upright. Repeat this step with each additional Mounting Bracket.

Repeat the entire step with second Upright.

5. ATTACH RACKING

Insert one Evolution Screw through one assembly hole on a Wine Wall Brackets from the first Upright. Thread one Evolution Rod onto the Evolution Screw and fully tighten with provided 5mm allen key. Repeat with all mounting hole locations on the first Upright (Figure C).

Pro tip: Use a hex key drill bit and a drill on a low-torque setting to speed this step up.

6: CONNECT WINE RODS Single Column Installations

Insert one Evolution Screw through one assembly hole on a Wine Wall Brackets from the opposite Upright. Thread one Evolution Rod onto the Evolution Screw and fully tighten with provided 5mm allen key (Figure D). Repeat for all Wine Rods.

If project includes only one column of wine racking, you've completed the assembly. Skip to step 9.

Multi Column Installations

Fasten one Wine Rod to the Wine Wall Mounting Brackets using an Evolution Stud. Half of the Stud will protrude out to start your next column (Figure E). Repeat with all other Wine Rods until first IDR column is fully assembled.

Pro tip: Use an M6 Driver and drill on a low-torque setting to speed this step up.

Proceed to next step.

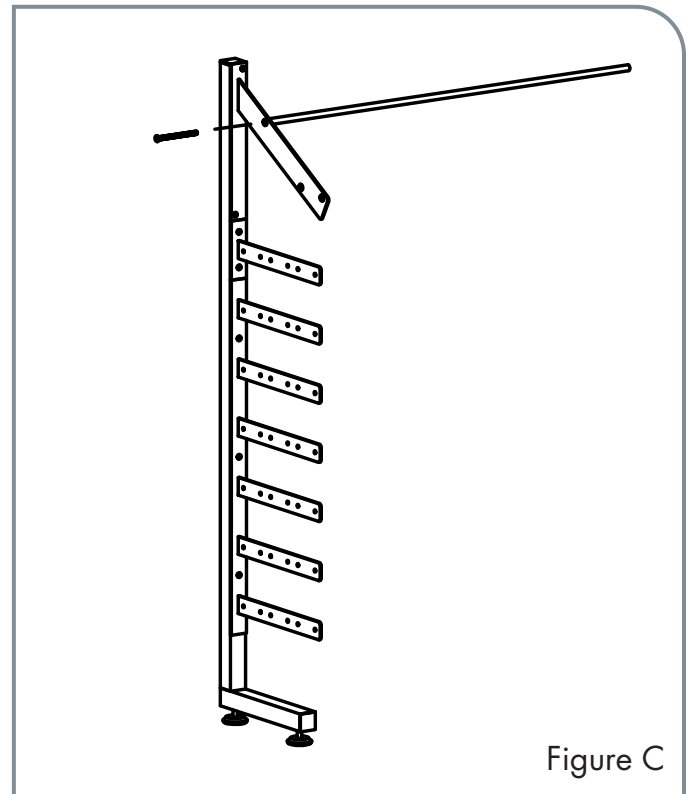


Figure C

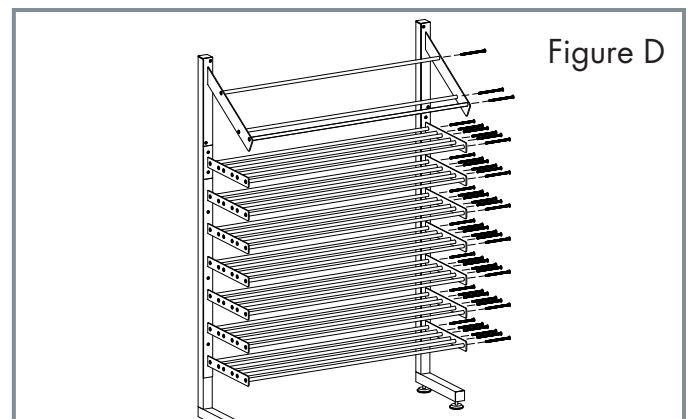


Figure D

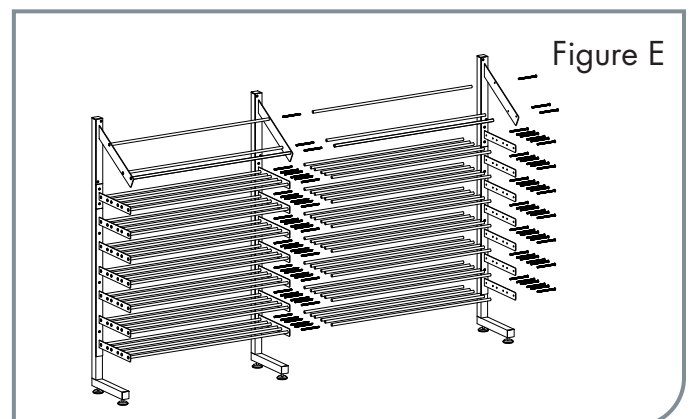
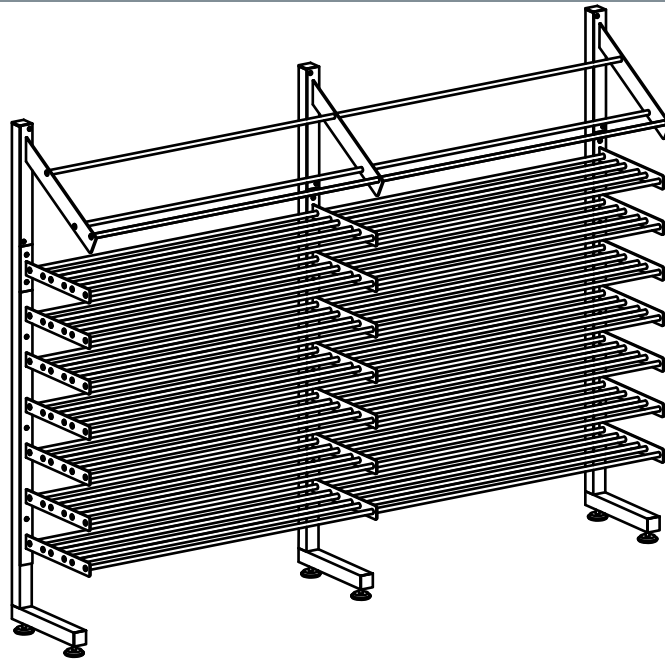


Figure E





****OPTIONAL STEPS FOR MULTI COLUMN DISPLAYS****

****7. BUILD THE NEXT POST****

Repeat steps 1-4 to build and place next post.

****8. CONNECT WINE RODS****

If final column

Insert one Evolution Screw through one assembly hole location on the Wine Wall Mounting Bracket. Thread one Evolution Rod onto the Evolution Screw and fully tighten with provided 5mm allen key.

If adding more columns

Fasten one Wine Rod to the Wine Wall Mounting Bracket using Evolution Studs. Half of the Stud will protrude out to start your next column. Repeat with all other Wine Rods until first Wine Wall Post column is fully assembled.

Repeat steps 7-8 for as many columns of racking desired.

9. ADD WINE

Preferably the good stuff.

PRODUCT CARE

Care must be taken when cleaning your racks.

Please use:

- A dry dusting cloth
- Compressed air cans
- Rubbing alcohol and a clean cloth to remove grease, oil, or other substances

Avoid:

- Dish soap
- Household cleaners
- Abrasive materials
- Any chemicals

Our racks are covered by a limited lifetime manufacturer's warranty. Learn more at vintageview.com/warranty

