

# Evolution Wine Wall Post System

Installation Instructions for Wine Wall installations using the WW-FCP-10



## Parts List:

(Post and Wine Wall racks sold separately; QTY or parts increases with multi-column installations)

## Included with Post

(two required for standard install)

- (1) 10' Posts [each includes (1) Post Top and (1) Post] Bottom Piece with C-Channel
- (48) Self-drilling Screws

## Wine Wall Base Rack:

- (2) Steel Wine Wall Brackets (per rack)
- (varies) Evolution Wine Rods
- (2 per Rod) Evolution Screw
- (1) 5mm Allen Key

## Wine Wall Extensions

- (2) Wine Wall Brackets (per rack)
- (varies) Evolution Wine Rods
- (2 per Rod) Evolution Screw

## Required Tools

- Drill (with torque setting)
- Phillips head drill bit
- Phillips head screwdriver
- Level
- Pencil or Marker
- Tape Measure
- Metal Cutting Saw
- Metal File
- Rubber Mallet (optional)
- M6 Driver (optional for Extensions)
- A handy friend

## Guidelines for Floor/Ceiling Hardware

**Wood/Stud:** #8 x 1-1/4" course thread screws (or longer)

**Concrete, Brick, or Stucco:** 3/16" x 1-1/4" masonry screw or #8 x 1-1/4" screw with appropriate size expanding anchor

**Drywall:** Expanding hollow wall anchors with at least #8 screw size



These installation instructions will assist you with installing the VintageView Evolution Wine Wall Post System in standard floor-to-ceiling applications. The Post System is designed for ceiling heights of up to 120" (3,048mm).

If your Wine Wall Post features detached Base Plates, visit [www.vintageview.com/welded](http://www.vintageview.com/welded)

## 1. IDENTIFY HARDWARE

Using the chart above, identify the proper floor/ceiling hardware (not included) that will be needed for your specific project.

For drywall surfaces, VintageView recommends installing to joists or wood backing when available.

## 2. MEASURE AND MARK

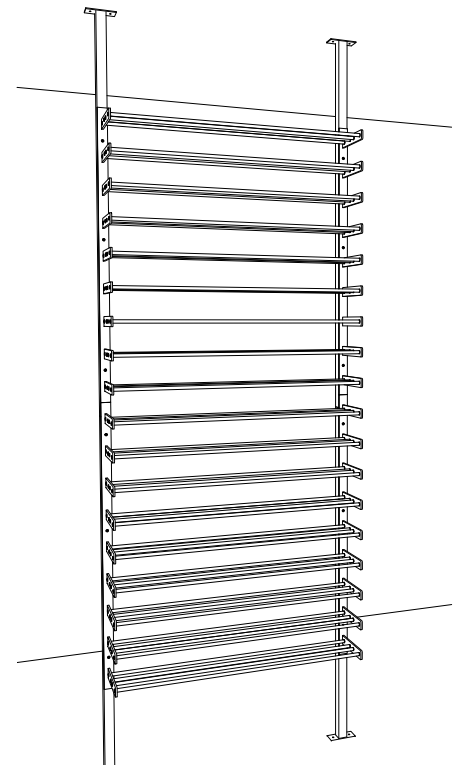
Measure the ceiling height of the location of the first Post.

Lay the open end of one Post Top, interlaced, with one Post Bottom (c-Channel). Position the Post so that the measurement from top to bottom of the welded Mounting Bases. Use a pencil or marker to mark any overlap on the bottom of the Post Top. Do not mark/cut from the Bottom piece with the C-Channel extruding out.

## 3. CUT THE POST

Using a Metal Cutting Saw, squarely cut each Post Top at the mark. Do not use abrasive saws as they may damage the finish.

Use a metal file to smooth the edges of the cut.





## 4. CONNECT THE POSTS

Slide the Post Top onto the C-Channel of the Post Bottom. It may require a Rubber Mallet to connect fully (Figure A).

## 5. MARK CEILING/ FLOOR MOUNTING HOLES

Place the first Post in the desired location. Ensure it is plumb with a level and mark the mounting holes on both the ceiling and the floor. Set the configuration aside and pre-drill any required pilot holes to floor or ceiling based on hardware selection.

## 6. MARK MOUNTING HOLES

Lay each Evolution Wine Wall Mounting Bracket in the desired location on the first Post. Mark all mounting hole locations (Figure B) on the front side (or both the front and the back side if installing a double-sided Wine Wall Post System).

*Recommendation: Make note of if you would like the Mounting Bases to run parallel or adjacent to the Wine Racks.*

## 7. PRE-DRILL MOUNTING HOLES

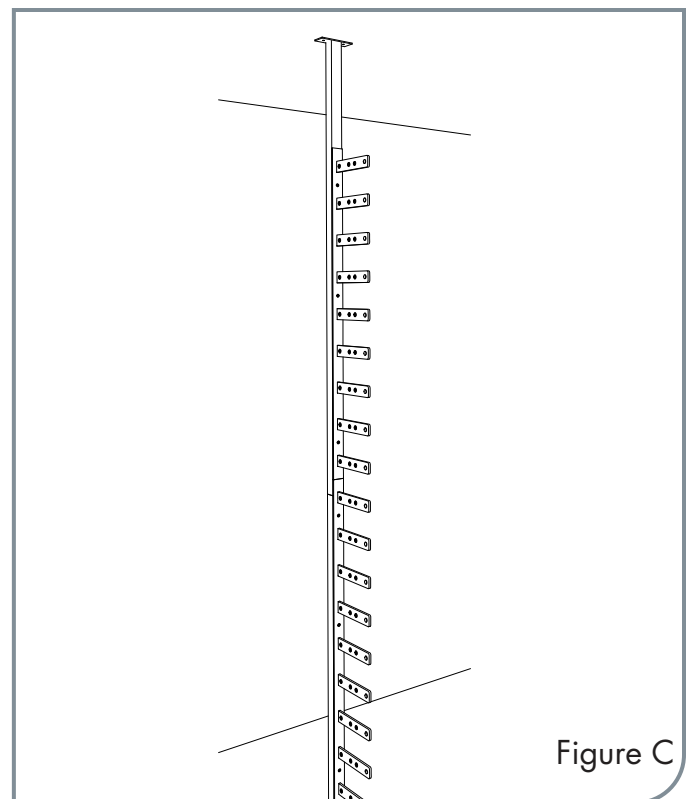
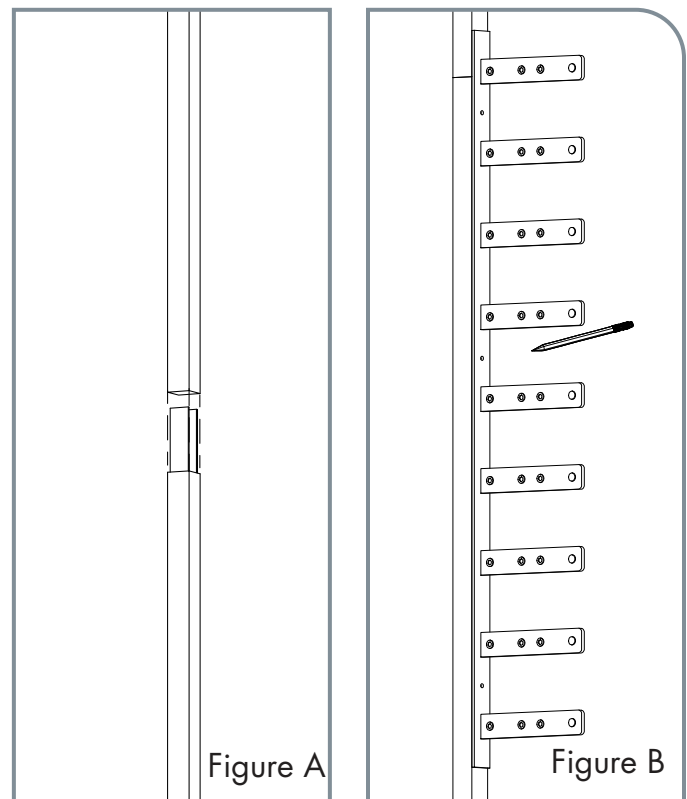
Using the provided Drill Bit, pre-drill all marked mounting hole locations.

## 8. INSTALL FIRST MOUNTING BRACKETS

Attach the first Wine Wall Bracket to the lowest set of Mounting Holes using self-drilling screws (provided). Repeat this step with the highest Mounting Hole for the Bracket, then the middle (if applicable). Repeat with any additional Brackets being installed on the Post above and/or opposite side.

## 9. INSTALL THE FIRST POST

Stand the first Post in the desired location (Mounting Base screws should be on the adjacent side to racking), and ensure it is plumb both front and back and side-to-side with a level (Figure C).





## 10. ATTACH RACKING TO FIRST POST

Insert one Evolution Screw through one Mounting Bracket on the Wall Bracket. Thread one Evolution Rod onto the Evolution Screw and fully tighten with provided 5mm allen key. Repeat with all Evolution Rods in this column (Figure D).

*Pro tip: Use a hex key drill bit and a drill on a low-torque setting to speed this step up.*

## 11. MEASURE, MARK, CUT THE NEXT POST

With the first Post in place and the Wine Rods dangling from it, repeat steps 2-9 to get the next Post aligned in the proper place. The dangling Wine Rods should be able to brush up against the Mounting Brackets (Figure E).

Double check the Wine Wall Post System is plumb and secure the Posts to the floor using two (2) of the appropriate fasteners (not provided).

## 12: CONNECT WINE RODS Single Column Installations

Insert one Evolution Screw through one assembly hole location on the Wine Wall Mounting Bracket. Thread one Evolution Rod onto the Evolution Screw and fully tighten with provided 5mm allen key (Figure F). Repeat for all Wine Rods.

If project includes only one column of wine racking, skip to step 19.

### Multi Column Installations

Fasten one Wine Rod to the Wine Wall Mounting Brackets using Evolution Studs. Half of the Stud will protrude out to start your next column (Figure G, next page). Repeat with all other Wine Rods until first Wine Wall Post column is fully assembled.

*Pro tip: Use an M6 Driver and drill on a low-torque setting to speed this step up.*

Proceed to next step.

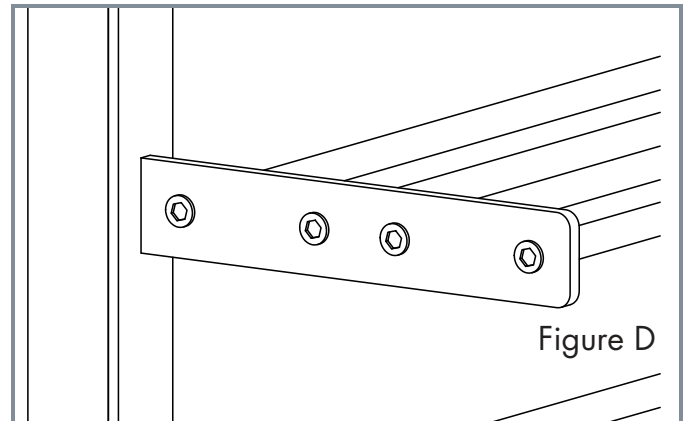


Figure D

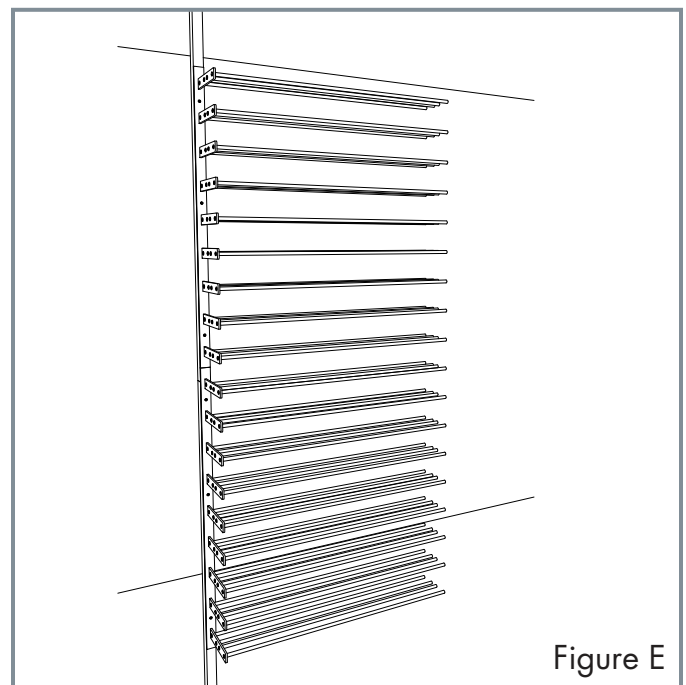


Figure E

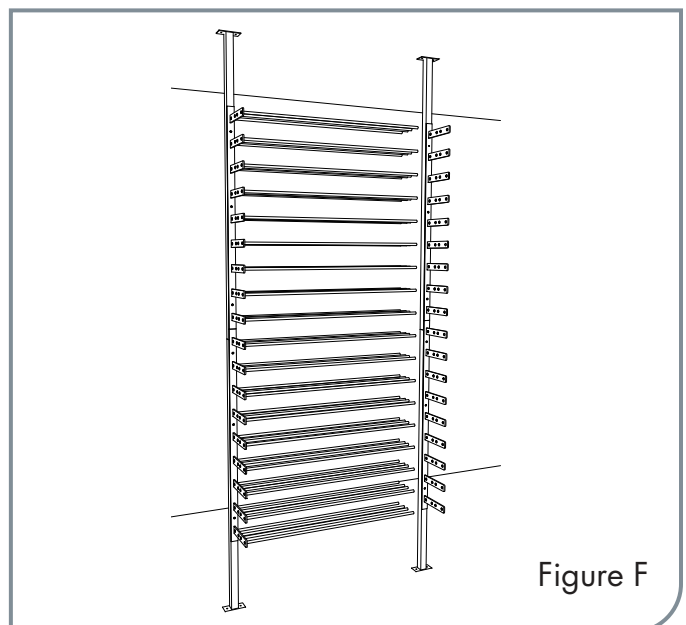


Figure F





## \*\*OPTIONAL STEPS FOR MULTI COLUMN DISPLAYS\*\*

### \*\*13. BUILD THE NEXT POST\*\*

Repeat steps 2-9 to build and place next post (Figure H).

### \*\*14. CONNECT WINE RODS\*\*

#### If final column

Insert one Evolution Screw through one assembly hole location on the Wine Wall Mounting Bracket. Thread one Evolution Rod onto the Evolution Screw and fully tighten with provided 5mm allen key (Figure H).

If project includes only one column of wine racking, skip to step 19.

#### If adding more columns

Fasten one Wine Rods to the Wine Wall Mounting Brackets using Evolution Studs. Half of the Stud will protrude out to start your next column (Figure G). Repeat with all other Wine Rods until first Wine Wall Post column is fully assembled.

Repeat steps 13-14 for as many columns of racking desired.

## 15. ADD WINE

Preferably the good stuff (Figure I).

## PRODUCT CARE

Care must be taken when cleaning your racks.

Please use:

- A dry dusting cloth
- Compressed air cans
- Rubbing alcohol and a clean cloth to remove grease, oil, or other substances

Avoid:

- Dish soap
- Household cleaners
- Abrasive materials
- Any chemicals

Our racks are covered by a limited lifetime manufacturer's warranty. Learn more at [vintageview.com/warranty](http://vintageview.com/warranty)

