

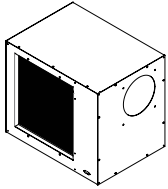
**TO BE USED WITH THE
SPLIT SYSTEM OWNERS MANUAL**

Required Tools

- Drill w/Phillips Bit
- 5/32" Drill Bit
- Phillips Screwdriver
- Tape Measure
- Brazing Torch
- Drywall Saw
- Ladder
- Level
- Pliers
- Pencil
- 2nd Person (optional)

PACKAGE CONTENTS

Main Evaporator Box

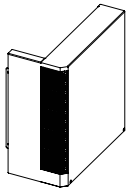


(1) Platinum Split Evaporator Unit

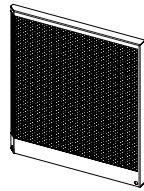
(1) Installation Kit which includes:

- (7) #14 2" Phillips Pan Head Screw
- (1) 3/8" Drain Tube Connector
- (1) 10 ft. 3/8" Drain Line
- (1) 10 1/2" piece of 1/4" copper tubing
- (1) 10 1/2" piece of 3/8" copper tubing
- (1) 1/4" copper coupling
- (1) 3/8" copper coupling
- (1) 1/4" sight glass
- (1) 1/4" filter drier

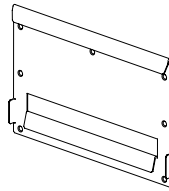
Wall-Mount Accessory Kit



(1) Side Grille



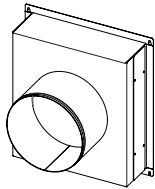
(1) Filter Grille



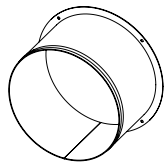
(1) Mounting Bracket

- (1) Split System Owners Manual
- (1) Unit Specific Installation Guide
- (1) Warranty Registration Card
- (1) 12 ft. Bottle Probe
- (10) 6-32 3/8" Phillips Pan Head Screw
- (1) Black Strain Relief

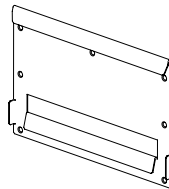
Ducted Accessory Kit



(1) 8" Return Air Plenum



(1) Supply Air Collar



(1) Mounting Bracket

- (1) Split System Owners Manual
- (1) Unit Specific Installation Guide
- (1) Warranty Registration Card
- (1) 50 ft. Bottle Probe
- (1) Remote Keypad
- (1) 50 ft. Keypad Communication Cable
- (2) Black Strain Relief
- (10) 6-32 3/8" Phillips Pan Head Screw

EVAPORATOR PREPARATION

1. With the unit unpacked, remove caps from the rear copper lines. - DO NOT DISCARD
2. Place both the 3/8 and 1/4 copper couplings on the exposed lines.
3. Insert the supplied 10" copper lines into the couplings.

Note: Place a wet rag around the copper tubes near the rubber grommet located at the rear of the evaporator housing. Be sure to clear the power cord and drain line from brazing area.

4. Braze each lines coupling and 10" copper line extension. - This is a good point to check for leaks.
5. Place the caps removed in step 1 onto the ends of the lines to avoid debris from entering the line set.
6. Insert brass drain line connector into the drain line at the rear of the unit.
7. Connect the 10 foot drain line to the opposite side of the connector.
8. Now remove the (8) Phillips head screws holding the side panel on the supply side of the unit, set side panel and screws aside.
9. With the panel removed locate the bottle probe connector inside the unit.
10. Insert bottle probe connector through the opening on the rear panel.
11. Connect the bottle probe connectors and place the connection back in side the housing.
12. Install the supplied strain relief onto the probe wire outside of the unit (give 1-2" of slack inside of the unit). Now simply insert the strain relief into the probe line hole.
13. Set unit aside.

INSTALLING THE EVAPORATOR

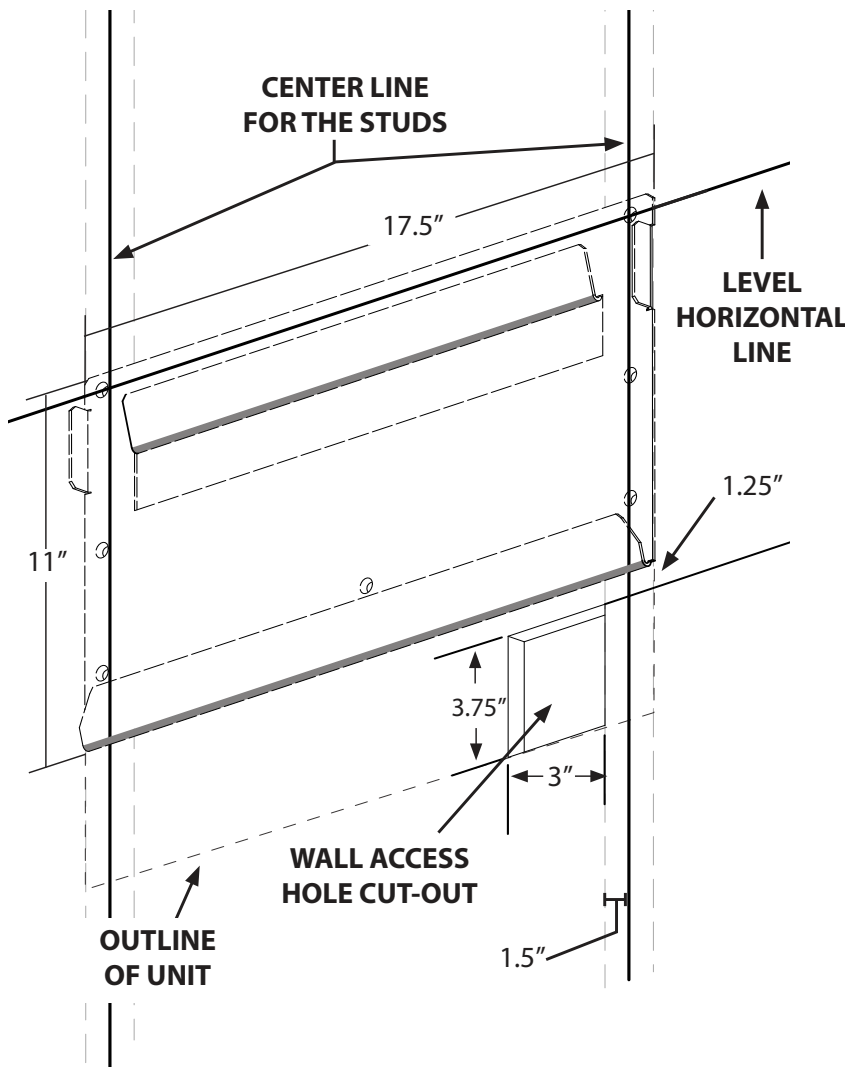
Note: The evaporator mounting plate is designed to be placed on (2) standard 16" spaced wall studs.

1. Locate the (2) desired wall studs. Mark your center line for the studs vertically on the wall, should be 14.5 inches apart, followed by a level horizontal line at your desired height.

Note: The top of the unit needs to be installed with a minimum of 6 inches and maximum of 18 inches from the ceiling.

2. Drill (2) 5/32" pilot holes for the top mounting screws.
3. Place the mounting plate on the wall and screw in the top (2) #14 screws.
4. Drill the (4) other 5/32" pilot holes, followed by screwing in (4) #14 screws.
5. Cut a 3 x 3.75 inch access hole for routing the line set, power cord, and drain line (use the diagram to the left for hole placement).
6. The wall is now ready to have the Evaporator installed, place the prepared unit below the install location.

Note: During installation WhisperKOOL recommends elevating the unit close to the install height.



7. Feed the power cord and drain line through the access hole, leaving the bottle probe inside the cellar.
8. Lift the evaporator unit up and place onto the wall bracket.

Note: Be sure that the power cord and drain line stay clear of the brackets contact area.

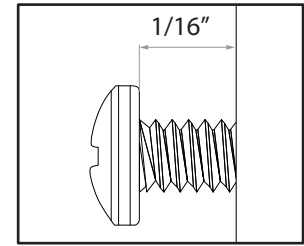
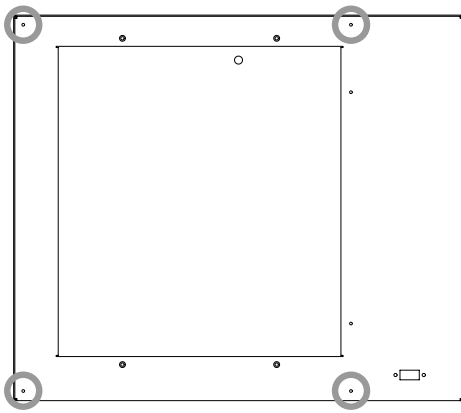
9. The main evaporator box is now installed, form the copper lines on the outside of the cellar in the desired direction.

Note: WhisperKOOL highly recommends using sweep 90-degree bends when making turns with the line set.

10. Braze in the line set and follow standard refrigeration system charging processes.
11. Once the system is charged, adjust the Thermal Expansion Valve to maintain 8-12°F superheat.
12. After adjustments are done reinstall the removed side panel on the supply side.

INSTALLING THE WALL-MOUNT ACCESSORY KIT

1. Install (8) 6-32 3/8" Phillips pan head screws in the locations below.



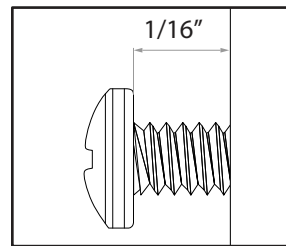
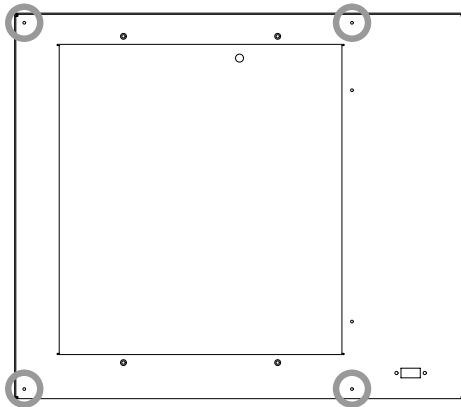
Note: The upper screws should be installed with about 1/16" between the face and screw head.

2. Connect the (2) keypad wires on the front wire terminal, black is positive red is negative. If display does not illuminate at initial start up, reverse the connection on the evaporator unit.
3. Install the side grill by aligning the (4) inside slotted holes with the (4) mounting screws and slide down.
4. Tighten the (2) bottom screws through the access holes followed by installing the (2) front screws.
5. Install the filter grille by aligning the (4) inside slotted holes with the (4) mounting screws and slide down.
6. Tighten the (2) bottom screws through the access holes.

Please refer to the Split System Owners Manual for remote keypad installation details.

INSTALLING THE DUCTED ACCESSORY KIT

1. Install (4) 6-32 3/8" Phillips pan head screws in the indicated locations.



Note: The upper screws should be installed with about 1/16" between the face and screw head.

2. Install the return air plenum by aligning the (4) outer holes and locking down, followed by tightening the (4) Phillips screws.
3. Install the Supply Air Collar with (4) 6-32 3/8" Phillips pan head screws.

Please refer to the Split System Owners Manual for remote keypad and ducted installation details.

*Whisper***KOOL™**

WhisperKOOL
1738 E. Alpine Ave
Stockton, CA 95205
1(800) 343-9463
www.whisperkool.com