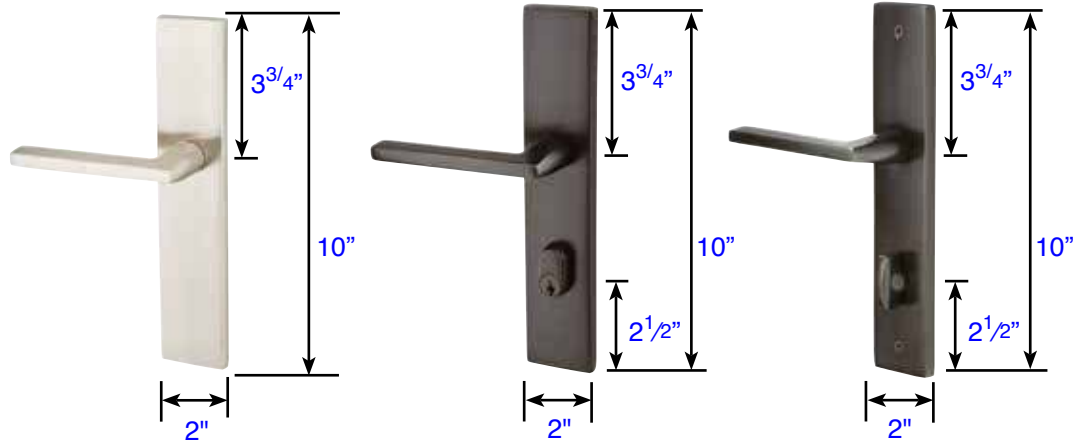


Stretto Style Plates are $\frac{3}{8}$ " Thick

10 in.

Non-Keyed
 Passage (8141)
 Thumbturn Privacy (8241)
 Dummy, Pair (8045)
 Dummy, Single Sided (8041)
 Dummy Pair (8041)

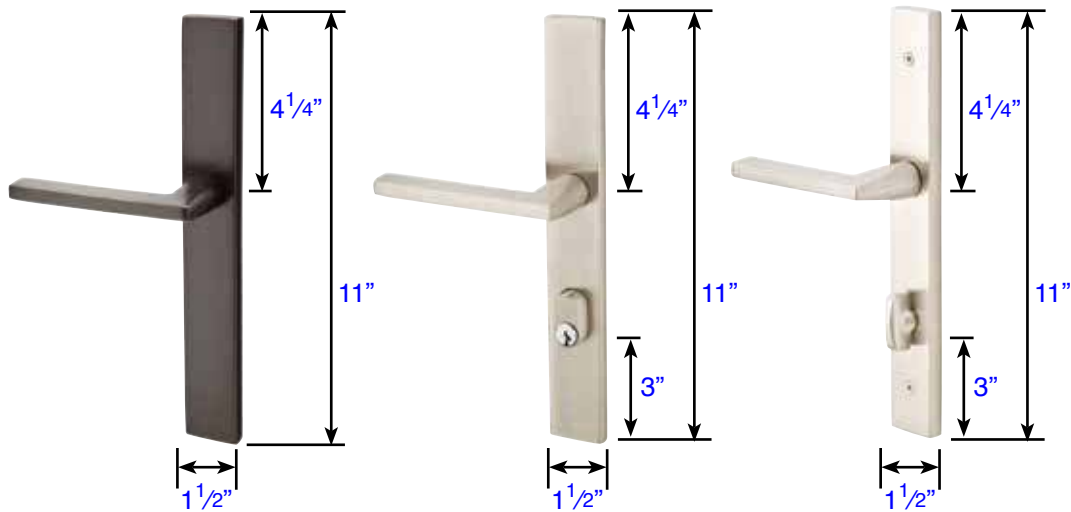
Keyed
 Passage/Single Keyed (8442)
 Dummy, Pair (8042)



11 in.

Non-Keyed
 Passage (8143)
 Thumbturn Privacy (8243)
 Dummy, Pair (8043)
 Dummy, Single Sided (8043)

Keyed
 Passage/Single Keyed (8444)
 Dummy, Pair (8044)



Brass Non-Keyed Plates (Passage)

<p>Standard Door Thickness: 1 ¼" - 1 ¾"</p> <p>Standard Components:</p> <ul style="list-style-type: none"> • Inside Passage Half Spindle • ¾" Wood Screws • 1 ½" and/or 2" Mounting Screws • Full-Lip Strike Plate 	<p>Extended Door Thickness: 1 ¾" - 2 ¼"</p> <p>Extended Components:</p> <ul style="list-style-type: none"> • Long Inside Passage Half Spindle • ¾" Wood Screws • 2 ½" Mounting Screws • Extended Full-Lip Strike Plate 	<p>Extended Door Thickness: 2 ¼" - 3"</p> <p>Extended Components:</p> <ul style="list-style-type: none"> • Extra Long Inside Passage Half Spindle • ¾" Wood Screws • 3" Mounting Screws • Extended Full-Lip Strike Plate
---	--	--

Brass Plates (Entry/Privacy)

<p>Standard Door Thickness: 1 ¼" - 1 ¾"</p> <p>Standard Components:</p> <ul style="list-style-type: none"> • Regular Tailpiece • Inside Passage Half Spindle • ¾" Wood Screws • 1 ½" and/or 2" Mounting Screws • Full-Lip Strike Plate • Deadbolt Strike Plate 	<p>Extended Door Thickness: 1 ¾" - 2 ¼"</p> <p>Extended Components:</p> <ul style="list-style-type: none"> • Long Single Cylinder Tailpiece • Long Inside Passage Half Spindle • ¾" Wood Screws • 2 ½" Mounting Screws • Extended Full-Lip Strike Plate • Deadbolt Strike Plate 	<p>Extended Door Thickness: 2 ¼" - 3"</p> <p>Extended Components:</p> <ul style="list-style-type: none"> • Extra Long Single Cylinder Tailpiece • Extra Long Inside Passage Half Spindle • ¾" Wood Screws • 3" Mounting Screws • Extended Full-Lip Strike Plate • Deadbolt Strike Plate
---	---	---

Brass Plates (Dummy)

<p>Standard Door Thickness: 1 ¼" - 1 ¾"</p> <p>Standard Components:</p> <ul style="list-style-type: none"> • 1 ½" and/or 2" Mounting Screws 	<p>Extended Door Thickness: 1 ¾" - 2 ¼"</p> <p>Extended Components:</p> <ul style="list-style-type: none"> • 2 ½" Mounting Screws 	<p>Extended Door Thickness: 2 ¼" - 3"</p> <p>Extended Components:</p> <ul style="list-style-type: none"> • 3" Mounting Screws
---	--	--