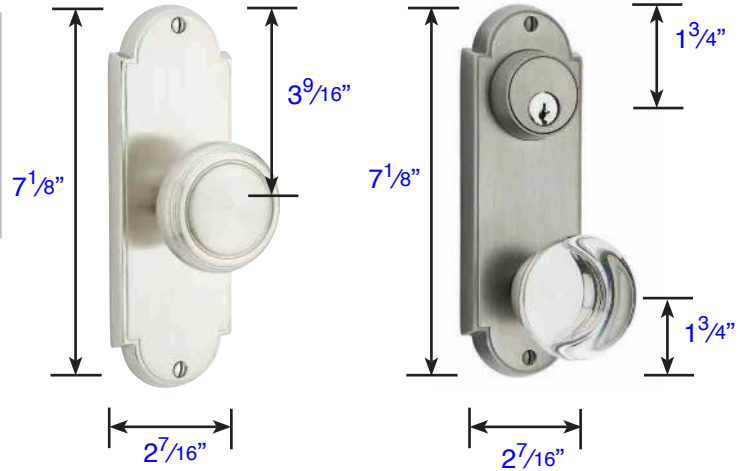
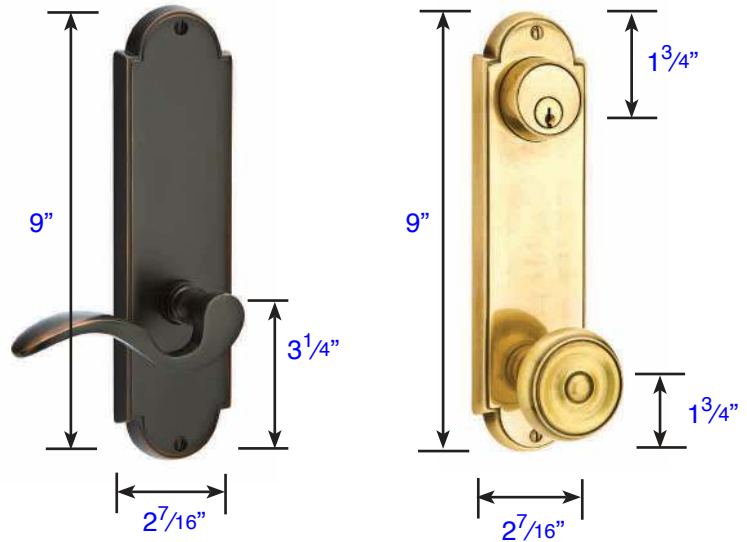


**Delaware Style** Plates are  $\frac{3}{8}$ " Thick

<p><b>Non-Keyed</b>                  Passage (8016)                  Privacy (8026)                  Dummy (8006)</p>	<p><b>Keyed</b>  <b><math>3\frac{5}{8}</math>" C-to-C</b>                  Single Cylinder (8066)                  Double Cylinder (8166)                  Dummy (8061)</p>
---	---

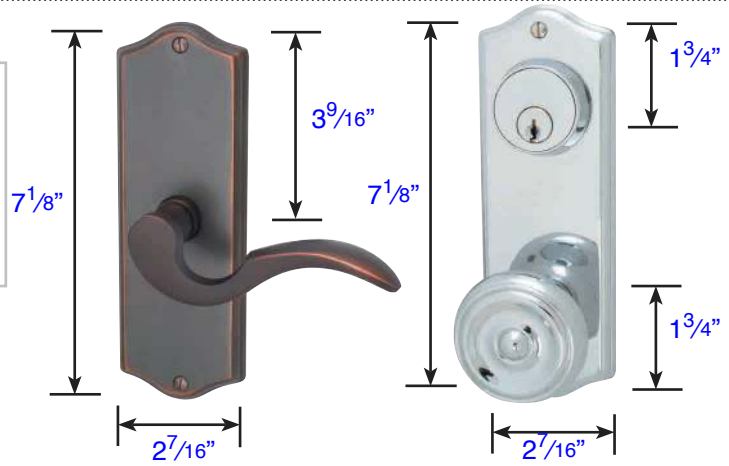


<p><b>Non-Keyed</b>                  Passage (8716)                  Privacy (8816)                  Dummy (8898)</p>	<p><b>Keyed</b>  <b><math>5\frac{1}{2}</math>" C-to-C</b>                  Single Cylinder (8996)                  Double Cylinder (8997)                  Dummy (8856)</p>
---	---

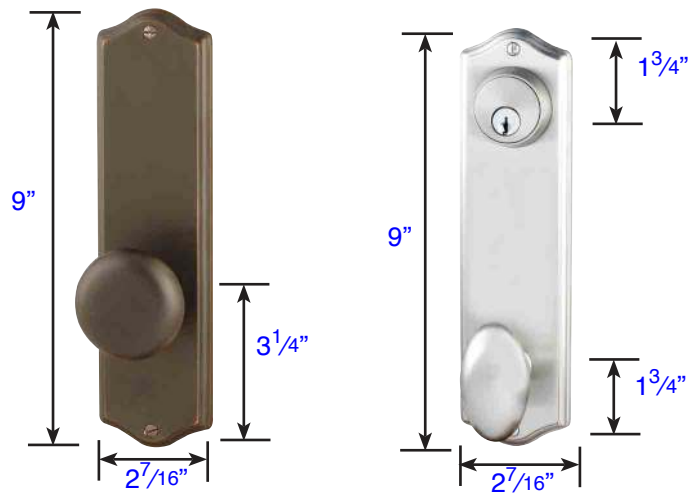


**Colonial Style** *Plates are 3/8" Thick*

<p><b>Non-Keyed</b>                  Passage (8010)                  Privacy (8020)                  Dummy (8001)</p>	<p><b>Keyed</b>  <b>3 5/8" C-to-C</b>                  Single Cylinder (8060)                  Double Cylinder (8160)                  Dummy (8065)</p>
---	---

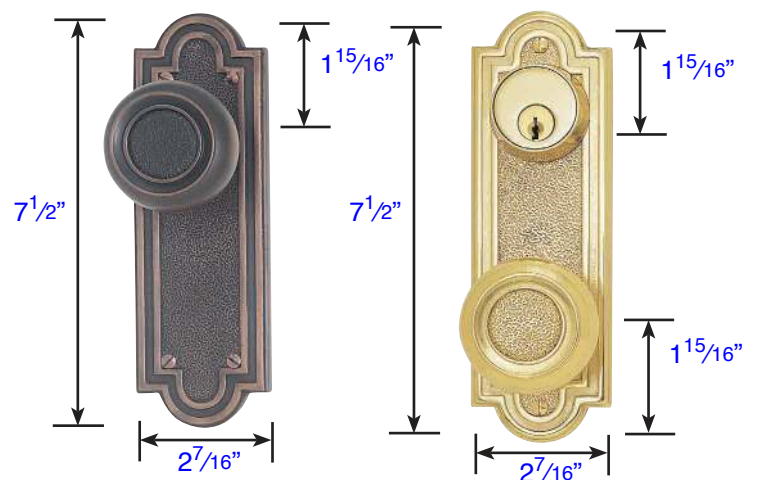


<p><b>Non-Keyed</b>                  Passage (8711)                  Privacy (8811)                  Dummy (8851)</p>	<p><b>Keyed</b>  <b>5 1/2" C-to-C</b>                  Single Cylinder (8990)                  Double Cylinder (8991)                  Dummy (8995)</p>
---	---

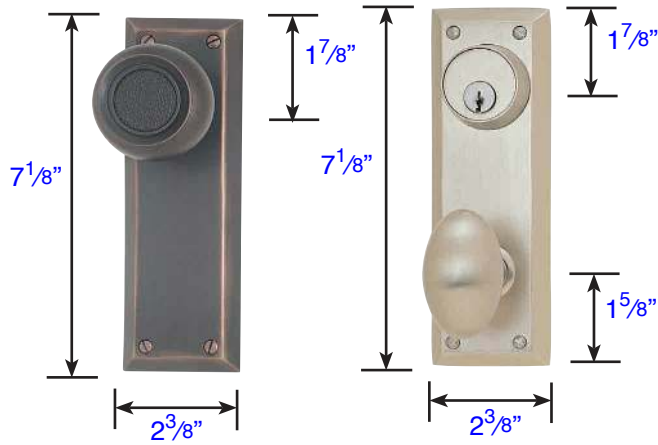


**Belmont Style** *Plates are 3/8" Thick*

<p><b>Non-Keyed</b>                  Passage (8102)                  Privacy (8202)                  Dummy (8052)</p>	<p><b>Keyed</b>  <b>3 5/8" C-to-C</b>                  Single Cylinder (8070)                  Double Cylinder (8071)                  Dummy (8075)</p>
---	---

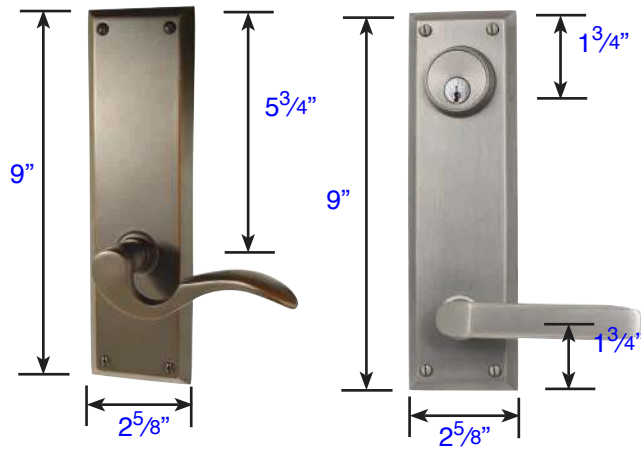


**Quincy Style** Plates are  $\frac{3}{8}$ " Thick



**Non-Keyed**  
 Passage (8104)  
 Privacy (8204)  
 Dummy (8054)

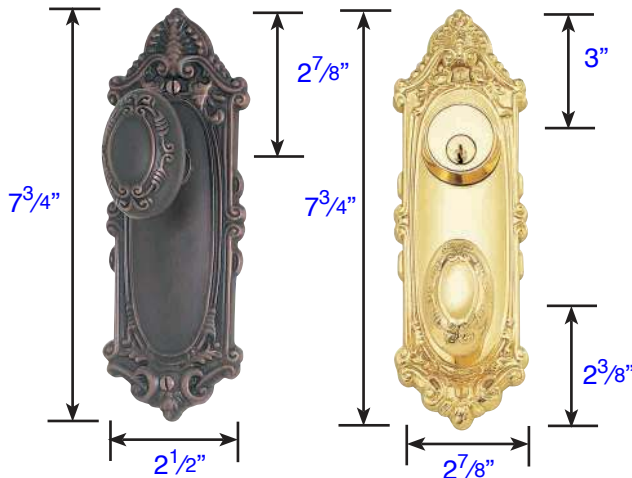
**Keyed**  
**3 5/8" C-to-C**  
 Single Cylinder (8080)  
 Double Cylinder (8081)  
 Dummy (8085)



**Non-Keyed**  
 Passage (8704)  
 Privacy (8804)  
 Dummy (8854)

**Keyed**  
**5 1/2" C-to-C**  
 Single Cylinder (8980)  
 Double Cylinder (8981)  
 Dummy (8985)

**Victoria Style** Plates are  $\frac{3}{8}$ " Thick



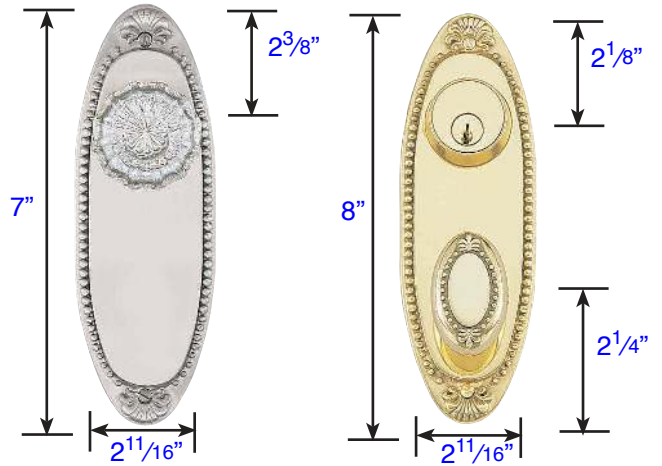
**Non-Keyed**  
 Passage (8103)  
 Privacy (8203)  
 Dummy (8053)

**Keyed**  
**3 5/8" C-to-C**  
 Single Cylinder (8090)  
 Double Cylinder (8091)  
 Dummy (8095)

**Oval Beaded Style** *Plates are 3/8" Thick*

**Non-Keyed**  
 Passage (8105)  
 Privacy (8205)  
 Dummy (8055)

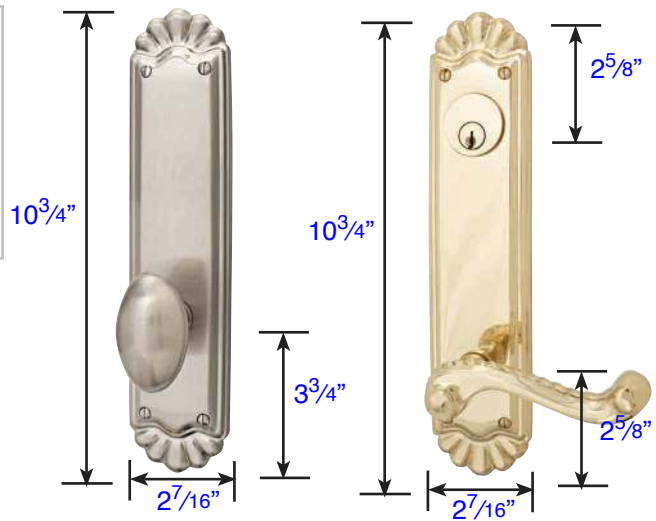
**Keyed**  
**3 5/8" C-to-C**  
 Single Cylinder (6010)  
 Double Cylinder (6011)  
 Dummy (6015)



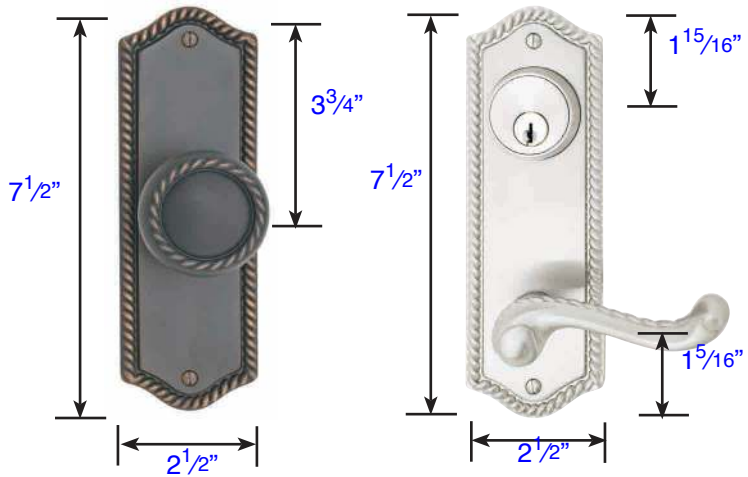
**Trenton Style** *Plates are 1/2" Thick*

**Non-Keyed**  
 Passage (8109)  
 Privacy (8209)  
 Dummy (8059)

**Keyed**  
**5 1/2" C-to-C**  
 Single Cylinder (6030)  
 Double Cylinder (6031)  
 Dummy (6035)

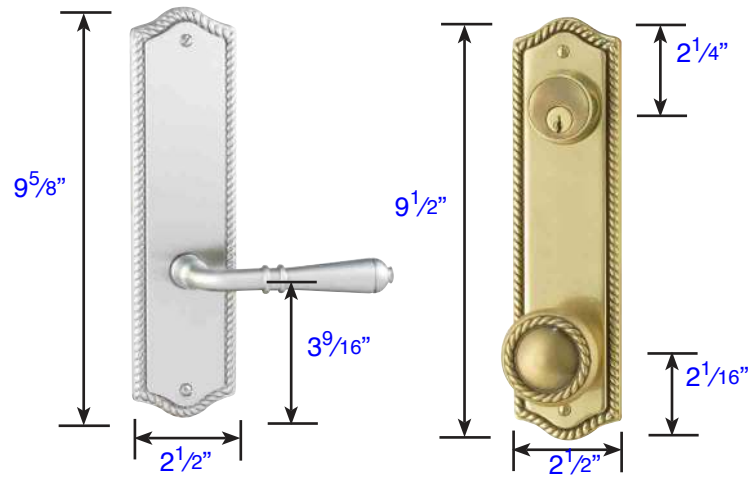


**Rope Style** Plates are 3/8" Thick



**Non-Keyed**  
 Passage (7109)  
 Privacy (7209)  
 Dummy (7059)

**Keyed**  
**3 5/8" C-to-C**  
 Single Cylinder (7090)  
 Double Cylinder (7091)  
 Dummy (7095)



**Non-Keyed**  
 Passage (7710)  
 Privacy (7810)  
 Dummy (7850)

**Keyed**  
**5 1/2" C-to-C**  
 Single Cylinder (7990)  
 Double Cylinder (7991)  
 Dummy (7995)

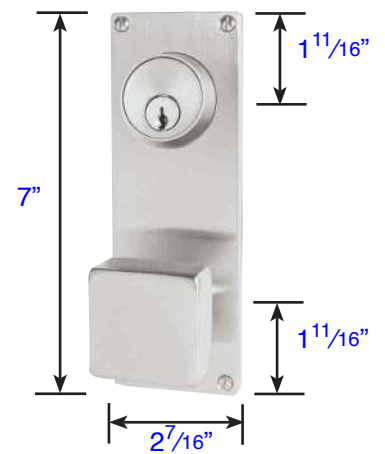
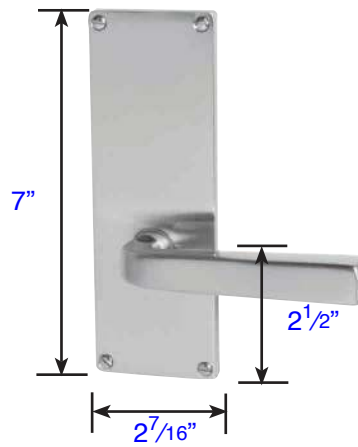
**Modern Style** Plates are  $\frac{3}{8}$ " Thick

**Non-Keyed**

Passage (8111)  
Privacy (8211)  
Dummy (8011)

**Keyed**

**3  $\frac{5}{8}$ " C-to-C**  
Single Cylinder (8112)  
Double Cylinder (8212)  
Dummy (8012)

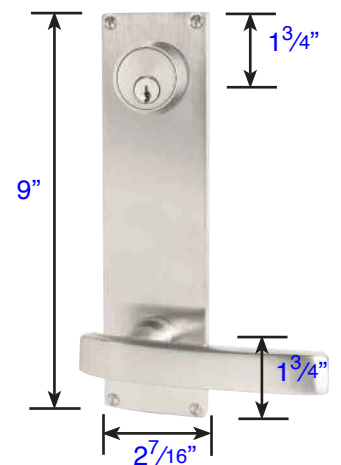
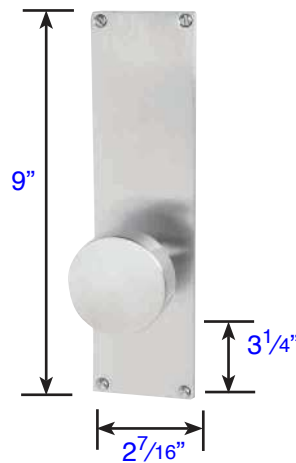


**Non-Keyed**

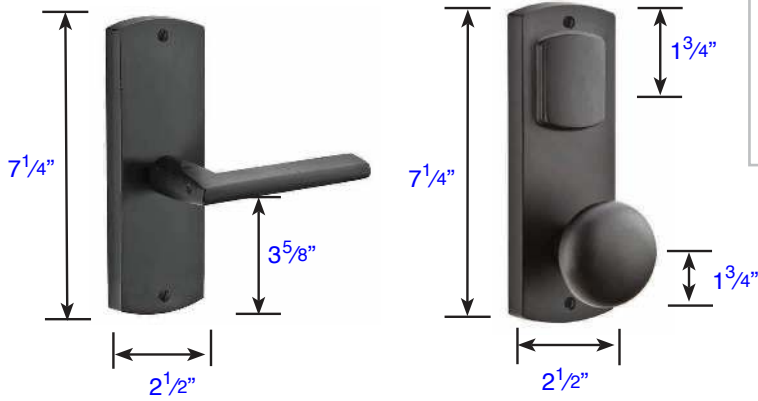
Passage (8113)  
Privacy (8213)  
Dummy (8013)

**Keyed**

**5  $\frac{1}{2}$ " C-to-C**  
Single Cylinder (8114)  
Double Cylinder (8214)  
Dummy (8014)

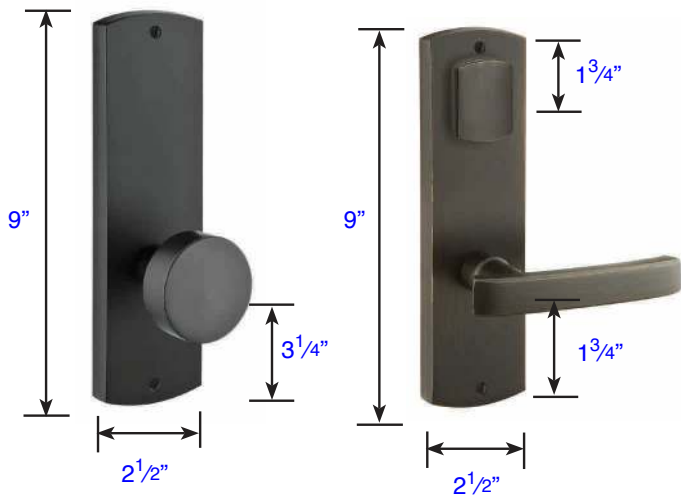


**Missoula Style** *Plates are 1/2" Thick*



**Non-Keyed**  
 Passage (71023)  
 Privacy (72023)  
 Dummy (70063)

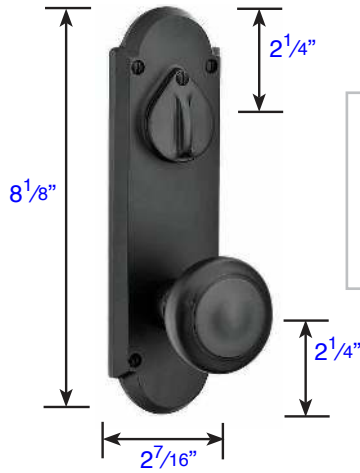
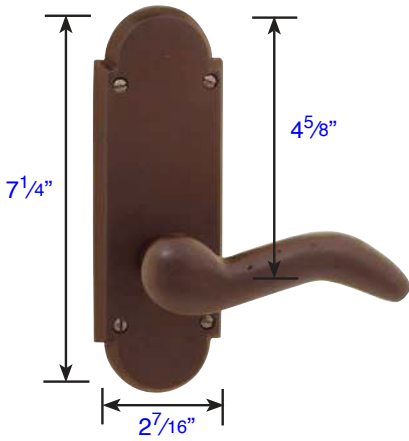
**Keyed**  
**3-5/8" C-to-C**  
 Single Cylinder (7370)  
 Double Cylinder (7371)  
 Dummy (7375)



**Non-Keyed**  
 Passage (7522)  
 Privacy (7622)  
 Dummy (7562)

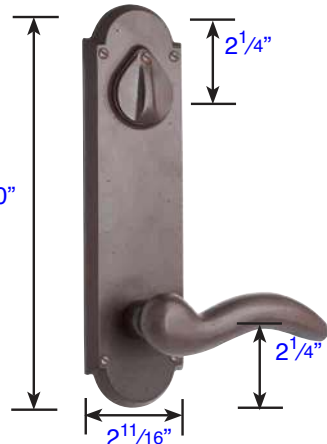
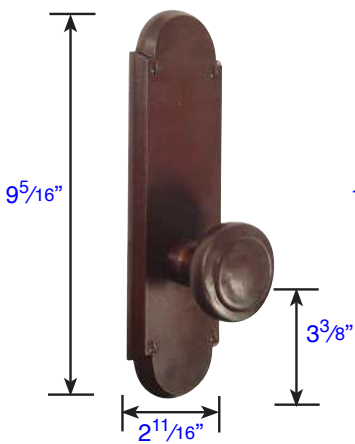
**Keyed**  
**5 1/2" C-to-C**  
 Single Cylinder (7570)  
 Double Cylinder (7571)  
 Dummy (7575)

**#5 Style** Plates are 1/2" Thick



**Non-Keyed**  
Passage (7107)  
Privacy (7207)  
Dummy (7057)

**Keyed**  
**3 5/8" C-to-C**  
Single Cylinder (7070)  
Double Cylinder (7071)  
Dummy (7075)



**Non-Keyed**  
Passage (7707)  
Privacy (7807)  
Dummy (7757)

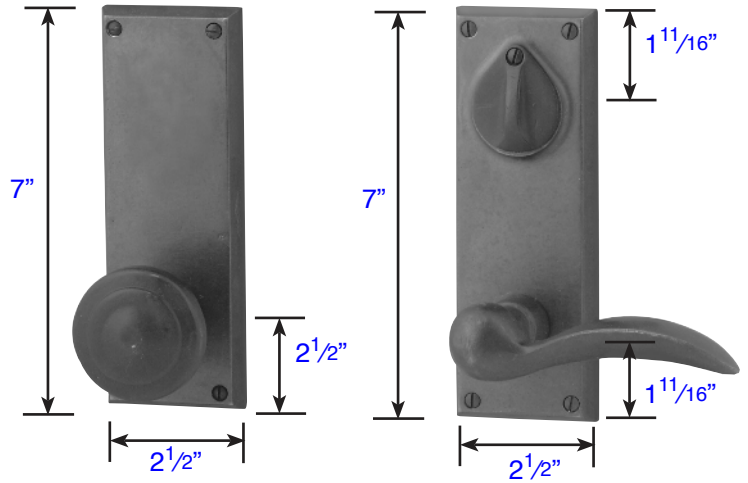
**Keyed**  
**5 1/2" C-to-C**  
Single Cylinder (7670)  
Double Cylinder (7671)  
Dummy (7675)



**Rectangular Style** *Plates are 1/2" Thick*

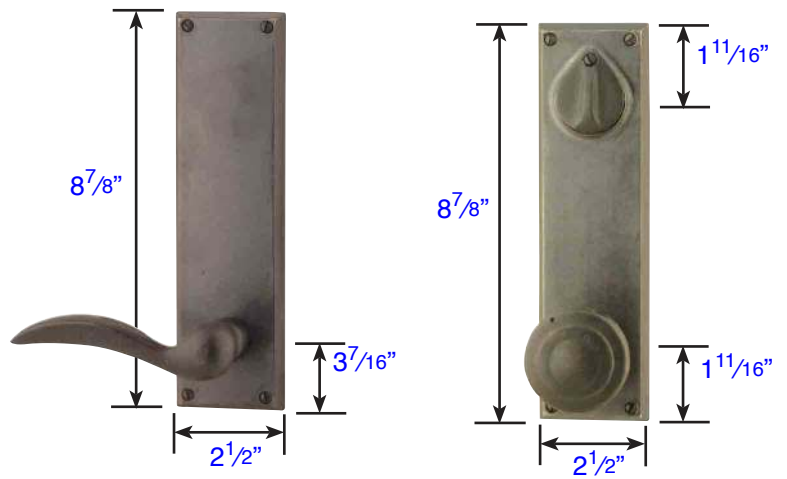
**Non-Keyed**  
 Passage (71013)  
 Privacy (72013)  
 Dummy (70053)

**Keyed**  
**3 5/8" C-to-C**  
 Single Cylinder (7360)  
 Double Cylinder (7361)  
 Dummy (7365)

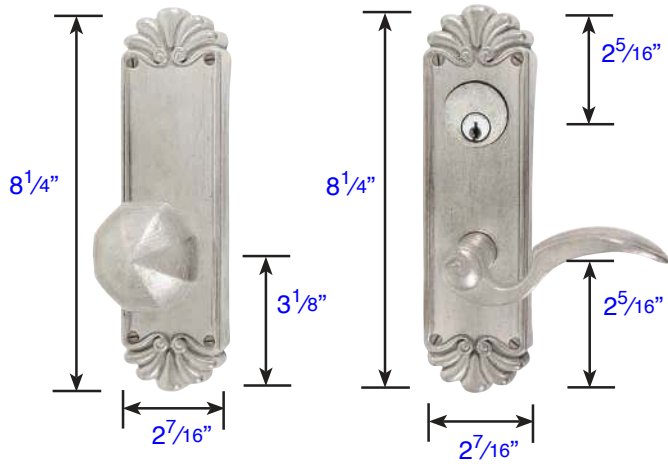


**Non-Keyed**  
 Passage (7512)  
 Privacy (7612)  
 Dummy (7552)

**Keyed**  
**5 1/2" C-to-C**  
 Single Cylinder (7560)  
 Double Cylinder (7561)  
 Dummy (7565)

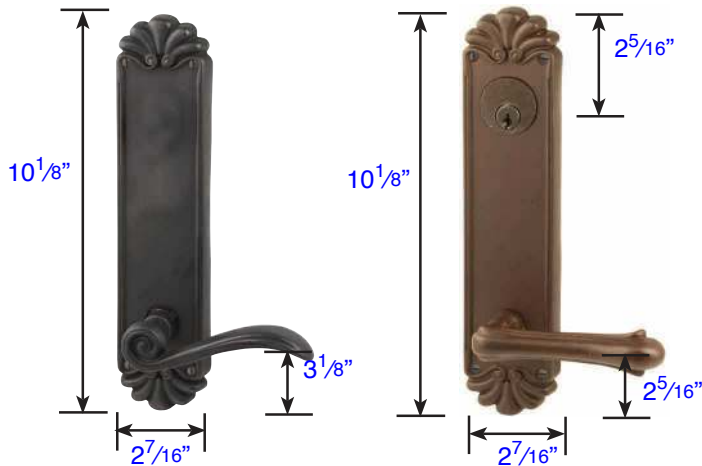


**#16 Style** Plates are  $\frac{3}{8}$ " Thick



**Non-Keyed**  
 Passage (6102)  
 Privacy (6202)  
 Dummy (6052)

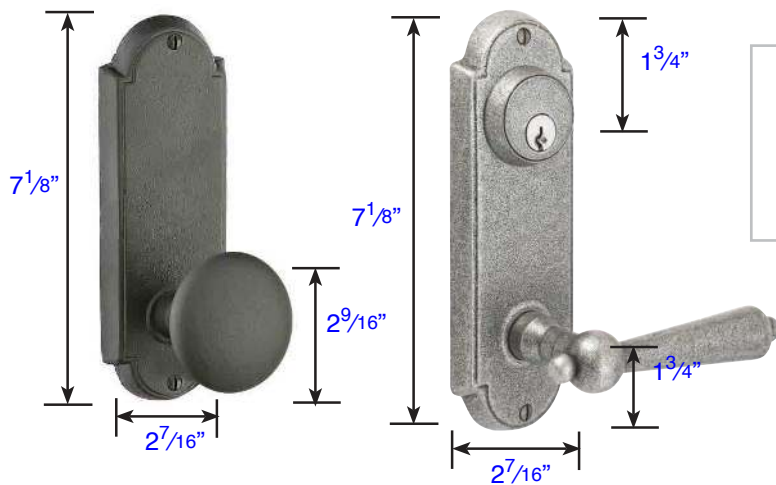
**Keyed**  
**3 5/8" C-to-C**  
 Single Cylinder (6020)  
 Double Cylinder (6021)  
 Dummy (6025)



**Non-Keyed**  
 Passage (6702)  
 Privacy (6802)  
 Dummy (6752)

**Keyed**  
**5 1/2" C-to-C**  
 Single Cylinder (6620)  
 Double Cylinder (6621)  
 Dummy (6625)

**Wrought Steel #5 Style** Plates are  $\frac{1}{2}$ " Thick



**Non-Keyed**  
 Passage (7105)  
 Privacy (7205)  
 Dummy (7055)

**Keyed**  
**3 5/8" C-to-C**  
 Single Cylinder (7010)  
 Double Cylinder (7011)  
 Dummy (7015)

**Stainless Steel Style** *Plates are 3/8" Thick*

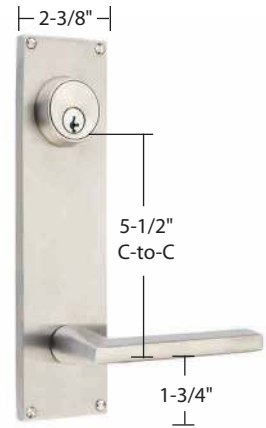
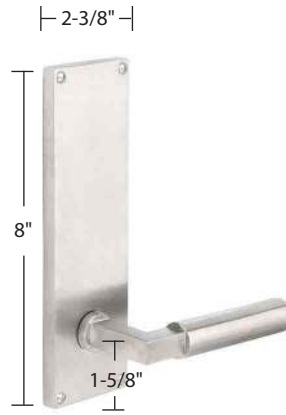
---

**Non-Keyed**

Passage (S801)  
Privacy (S802)  
Dummy (S800)

**Keyed**

**5-1/2" C-to-C**  
Single Cylinder (S811)  
Double Cylinder (S812)  
Dummy (S810)



**Brass Non-Keyed Plates (passage/privacy)**

Delaware Style (8016/8026 & 8716/8816), Colonial Style (8010/8020 & 8711/8811), Belmont Style (8102/8202), Quincy Style (8104/8204 & 8704/8804), Victoria Style (8103/8203), Oval Beaded Style (8105/8205), Rope Style (7109/7209 & 7710/7810), Modern Style (8111/8112 & 8113/8213)

- Standard Door Thickness: 1<sup>1</sup>/<sub>4</sub>"- 2"
- Standard Components:
- Privacy Pin (for privacy sets)
- Inside Passage Half Spindle
- 1" Wood Screws
- Threaded Tubes & Machine Screws
- supplied upon request for Hollow-Core Doors*
- Full-Lip Strike Plate

- **Extended** Door Thickness: 2"- 3"
- Extended Components:
- Privacy Pin w/ Extensions (for privacy sets)
- Long Inside Passage Half Spindle
- 1" Wood Screws
- Threaded Tubes & Machine Screws
- supplied upon request for Hollow-Core Doors*
- Extended Full-Lip Strike Plate

**Brass Keyed Plates, Single Cylinder**

Delaware Style (8066/8996), Colonial Style (8060/8990), Belmont Style (8070), Quincy Style (8080/8980), Victoria Style (8090), Oval Beaded Style (6010), Rope Style (7090/7990), Modern Style (8112/8114)

- Standard Door Thickness: 1<sup>1</sup>/<sub>4</sub>"- 1<sup>3</sup>/<sub>4</sub>"
- Standard Components:
- Single Cylinder Tailpiece
- Inside Passage Half Spindle
- 1" Wood Screws
- Threaded Tubes & Machine Screws
- supplied upon request for Hollow-Core Doors*
- 2<sup>1</sup>/<sub>4</sub>" Deadbolt Mounting Screws
- Full-Lip Strike Plate
- Deadbolt Strike Plate

- **Extended** Door Thickness: 1<sup>3</sup>/<sub>4</sub>"- 2<sup>1</sup>/<sub>4</sub>"
- Extended Components:
- Long Single Cylinder Tailpiece
- Long Inside Passage Half Spindle
- 1" Wood Screws
- Threaded Tubes & Machine Screws
- supplied upon request for Hollow-Core Doors*
- 2<sup>1</sup>/<sub>2</sub>" Deadbolt Mounting Screws
- Extended Full-Lip Strike Plate
- Deadbolt Strike Plate

- **Extended** Door Thickness: 2<sup>1</sup>/<sub>4</sub>"- 2<sup>3</sup>/<sub>4</sub>"
- Extended Components:
- Extra Long Single Cylinder Tailpiece
- Extra Long Inside Passage Half Spindle
- 1" Wood Screws
- Threaded Tubes & Machine Screws
- supplied upon request for Hollow-Core Doors*
- 3" & 3<sup>1</sup>/<sub>2</sub>" Deadbolt Mounting Screws
- Extended Full-Lip Strike Plate
- Deadbolt Strike Plate

**Brass Keyed Plates, Double Cylinder**

Delaware Style (8166/8997), Colonial Style (8160/8991), Belmont Style (8071), Quincy Style (8081/8981), Victoria Style (8091), Oval Beaded Style (6011), Rope Style (7091/7991), Modern Style (8212/8214)

- Standard Door Thickness: 1<sup>5</sup>/<sub>8</sub>"- 1<sup>3</sup>/<sub>4</sub>"
- Standard Components:
- Double Cylinder Tailpiece
- Inside Passage Half Spindle
- 1" Wood Screws
- Threaded Tubes & Machine Screws
- supplied upon request for Hollow-Core Doors*
- 3" Deadbolt Mounting Screws
- Full-Lip Strike Plate
- Deadbolt Strike Plate

- **Extended** Door Thickness: 1<sup>3</sup>/<sub>4</sub>"- 2<sup>1</sup>/<sub>2</sub>"
- Extended Components:
- Long Double Cylinder Tailpiece
- Long Inside Passage Half Spindle
- 1" Wood Screws
- Threaded Tubes & Machine Screws
- supplied upon request for Hollow-Core Doors*
- 3<sup>1</sup>/<sub>2</sub>" Deadbolt Mounting Screws
- Extended Full-Lip Strike Plate
- Deadbolt Strike Plate

**Trenton Keyed Plates, Single Cylinder (6030)**

<ul style="list-style-type: none"> <li>• Standard Door Thickness: 1<sup>5</sup>/<sub>8</sub>"- 2<sup>1</sup>/<sub>8</sub>"</li> <li>Standard Components:</li> <li>• Single Cylinder Tailpiece</li> <li>• Inside Passage Half Spindle</li> <li>• 1" Wood Screws</li> <li>• Threaded Tubes &amp; Machine Screws</li> <li><i>supplied upon request for Hollow-Core Doors</i></li> <li>• 2<sup>1</sup>/<sub>4</sub>" Deadbolt Mounting Screws</li> <li>• Full-Lip Strike Plate</li> <li>• Deadbolt Strike Plate</li> </ul>	<ul style="list-style-type: none"> <li>• <b>Extended</b> Door Thickness: 1<sup>3</sup>/<sub>4</sub>"- 2<sup>3</sup>/<sub>4</sub>"</li> <li>Extended Components:</li> <li>• Long Single Cylinder Tailpiece</li> <li>• Long Inside Passage Half Spindle</li> <li>• 1" Wood Screws</li> <li>• Threaded Tubes &amp; Machine Screws</li> <li><i>supplied upon request for Hollow-Core Doors</i></li> <li>• 2<sup>1</sup>/<sub>2</sub>" &amp; 3" Deadbolt Mounting Screws</li> <li>• Extended Full-Lip Strike Plate</li> <li>• Deadbolt Strike Plate</li> </ul>
--	---

**Trenton Style (Brass), Keyed Plates, Double Cylinder (6031)**

<ul style="list-style-type: none"> <li>• Standard Door Thickness: 1<sup>5</sup>/<sub>8</sub>"- 2"</li> <li>Standard Components:</li> <li>• Double Cylinder Tailpiece</li> <li>• Inside Passage Half Spindle</li> <li>• 1" Wood Screws</li> <li>• Threaded Tubes &amp; Machine Screws</li> <li><i>supplied upon request for Hollow-Core Doors</i></li> <li>• 2<sup>1</sup>/<sub>2</sub>" Deadbolt Mounting Screws</li> <li>• Full-Lip Strike Plate</li> <li>• Deadbolt Strike Plate</li> </ul>	<ul style="list-style-type: none"> <li>• <b>Extended</b> Door Thickness: 2"- 2<sup>5</sup>/<sub>8</sub>"</li> <li>Extended Components:</li> <li>• Long Double Cylinder Tailpiece</li> <li>• Long Inside Passage Half Spindle</li> <li>• 1" Wood Screws</li> <li>• Threaded Tubes &amp; Machine Screws</li> <li><i>supplied upon request for Hollow-Core Doors</i></li> <li>• 3" Deadbolt Mounting Screws</li> <li>• Extended Full-Lip Strike Plate</li> <li>• Deadbolt Strike Plate</li> </ul>
---	--

\* Part # DB4-COLLAR32 Available for 1<sup>3</sup>/<sub>8</sub>" Thick Doors

**Cast Bronze Non-Keyed Plates (passage/privacy)**

#5 Style (7107/7207 & 7707/7807), Rectangular Style (71013/72013 & 7512/7612), #16 Style (6102/6202 & 6702/6802)  
Missoula Style (71023/72023, 7522/7622)

<ul style="list-style-type: none"> <li>• Standard Door Thickness: 1<sup>1</sup>/<sub>4</sub>"- 2"</li> <li>Standard Components:</li> <li>• Privacy Pin (for privacy sets)</li> <li>• Inside Passage Half Spindle</li> <li>• 1" Wood Screws</li> <li>• Threaded Tubes &amp; Machine Screws</li> <li><i>supplied upon request for Hollow-Core Doors</i></li> <li>• Full-Lip Strike Plate</li> </ul>	<ul style="list-style-type: none"> <li>• <b>Extended</b> Door Thickness: 2"- 3"</li> <li>Extended Components:</li> <li>• Privacy Pin w/ Extensions (for privacy sets)</li> <li>• Long Inside Passage Half Spindle</li> <li>• 1" Wood Screws</li> <li>• Threaded Tubes &amp; Machine Screws</li> <li><i>supplied upon request for Hollow-Core Doors</i></li> <li>• Extended Full-Lip Strike Plate</li> </ul>
---	---

**Cast Bronze Keyed Plates, Single Cylinder**

#5 Style (7070/7670), Rectangular Style (7360/7560), #16 Style (6020/6620), Missoula Style (7370/7570)

<ul style="list-style-type: none"> <li>• Standard Door Thickness: 1<sup>5</sup>/<sub>8</sub>"- 2"</li> <li>Standard Components:</li> <li>• Single Cylinder Tailpiece</li> <li>• Inside Passage Half Spindle</li> <li>• 1" Wood Screws</li> <li>• Threaded Tubes &amp; Machine Screws</li> <li><i>supplied upon request for Hollow-Core Doors</i></li> <li>• 2<sup>1</sup>/<sub>4</sub>" Deadbolt Mounting Screws</li> <li>• Full-Lip Strike Plate</li> <li>• Deadbolt Strike Plate</li> </ul>	<ul style="list-style-type: none"> <li>• <b>Extended</b> Door Thickness: 2"- 2<sup>3</sup>/<sub>8</sub>"</li> <li>Extended Components:</li> <li>• Long Single Cylinder Tailpiece</li> <li>• Long Inside Passage Half Spindle</li> <li>• 1" Wood Screws</li> <li>• Threaded Tubes &amp; Machine Screws</li> <li><i>supplied upon request for Hollow-Core Doors</i></li> <li>• 2<sup>1</sup>/<sub>2</sub>" Deadbolt Mounting Screws</li> <li>• Extended Full-Lip Strike Plate</li> <li>• Deadbolt Strike Plate</li> </ul>	<ul style="list-style-type: none"> <li>• <b>Extended</b> Door Thickness: 2<sup>3</sup>/<sub>8</sub>"- 3"</li> <li>Extended Components:</li> <li>• Extra Long Single Cylinder Tailpiece</li> <li>• Extra Long Inside Passage Half Spindle</li> <li>• 1" Wood Screws</li> <li>• Threaded Tubes &amp; Machine Screws</li> <li><i>supplied upon request for Hollow-Core Doors</i></li> <li>• 3" &amp; 3<sup>1</sup>/<sub>2</sub>" Deadbolt Mounting Screws</li> <li>• Extended Full-Lip Strike Plate</li> <li>• Deadbolt Strike Plate</li> </ul>
---	---	--

**Cast Bronze Keyed Plates, Double Cylinder**

#5 (7071/7671), Rectangular Style (7361/7561), #16 Style (6021/6621), Missoula Style (7371/7571)

- Standard Door Thickness: 1<sup>1</sup>/<sub>2</sub>"- 2"
- Standard Components:
  - Single Cylinder Tailpiece
  - Inside Passage Half Spindle
  - 1" Wood Screws
  - Threaded Tubes & Machine Screws
- supplied upon request for Hollow-Core Doors*
- 2<sup>1</sup>/<sub>2</sub>" Deadbolt Mounting Screws
- Full-Lip Strike Plate
- Deadbolt Strike Plate

- **Extended** Door Thickness: 2"- 2<sup>1</sup>/<sub>2</sub>"
- Extended Components:
  - Long Double Cylinder Tailpiece
  - Long Inside Passage Half Spindle
  - 1" Wood Screws
  - Threaded Tubes & Machine Screws
- supplied upon request for Hollow-Core Doors*
- 3" Deadbolt Mounting Screws
- Extended Full-Lip Strike Plate
- Deadbolt Strike Plate

- **Extended** Door Thickness: 2<sup>1</sup>/<sub>4</sub>"- 2<sup>3</sup>/<sub>4</sub>"
- Extended Components:
  - Long Double Cylinder Tailpiece
  - Long Inside Passage Half Spindle
  - 1" Wood Screws
  - Threaded Tubes & Machine Screws
- supplied upon request for Hollow-Core Doors*
- 3<sup>1</sup>/<sub>2</sub>" Deadbolt Mounting Screws
- Extended Full-Lip Strike Plate
- Deadbolt Strike Plate

**Wrought Steel #5 Keyed Plates, Double Cylinder (7011)**

- Standard Door Thickness: 1<sup>5</sup>/<sub>8</sub>"- 1<sup>3</sup>/<sub>4</sub>"
- Standard Components:
  - Double Cylinder Tailpiece
  - Inside Passage Half Spindle
  - 1" Wood Screws
  - Threaded Tubes & Machine Screws
- supplied upon request for Hollow-Core Doors*
- 3" Deadbolt Mounting Screws
- Full-Lip Strike Plate
- Deadbolt Strike Plate

- **Extended** Door Thickness: 1<sup>3</sup>/<sub>4</sub>"- 2<sup>3</sup>/<sub>8</sub>"
- Extended Components:
  - Long Double Cylinder Tailpiece
  - Long Inside Passage Half Spindle
  - 1" Wood Screws
  - Threaded Tubes & Machine Screws
- supplied upon request for Hollow-Core Doors*
- 3<sup>1</sup>/<sub>2</sub>" Deadbolt Mounting Screws
- Extended Full-Lip Strike Plate
- Deadbolt Strike Plate

**Wrought Steel Non-Keyed Plate (passage/privacy) (7105/7205)**

- Standard Door Thickness: 1<sup>1</sup>/<sub>4</sub>"- 1<sup>3</sup>/<sub>4</sub>"
- Standard Components:
  - Privacy Pin (for privacy sets)
  - Inside Passage Half Spindle
  - 1" Wood Screws
  - Threaded Tubes & Machine Screws
- supplied upon request for Hollow-Core Doors*
- Full-Lip Strike Plate

- **Extended** Door Thickness: 1<sup>3</sup>/<sub>4</sub>"- 2<sup>3</sup>/<sub>8</sub>"
- Extended Components:
  - Privacy Pin w/Extension (for privacy sets)
  - Long Inside Passage Half Spindle
  - 1" Wood Screws
  - Threaded Tubes & Machine Screws
- supplied upon request for Hollow-Core Doors*
- Extended Full-Lip Strike Plate

- **Extended** Door Thickness: 1<sup>3</sup>/<sub>4</sub>"- 2<sup>3</sup>/<sub>8</sub>"
- Extended Components:
  - Privacy Pin w/Extension (for privacy sets)
  - Long Inside Passage Half Spindle
  - 1" Wood Screws
  - Threaded Tubes & Machine Screws
- supplied upon request for Hollow-Core Doors*
- Extended Full-Lip Strike Plate

**Wrought Steel #5 Style Keyed Plates, Single Cylinder (7010)**

- Standard Door Thickness: 1<sup>1</sup>/<sub>2</sub>"- 1<sup>3</sup>/<sub>4</sub>"
- Standard Components:
  - Single Cylinder Tailpiece
  - Inside Passage Half Spindle
  - 1" Wood Screws
  - Threaded Tubes & Machine Screws
- supplied upon request for Hollow-Core Doors*
- 2<sup>1</sup>/<sub>4</sub>" Deadbolt Mounting Screws
- Full-Lip Strike Plate
- Deadbolt Strike Plate

- **Extended** Door Thickness: 1<sup>3</sup>/<sub>4</sub>"- 2<sup>1</sup>/<sub>4</sub>"
- Extended Components:
  - Long Single Cylinder Tailpiece
  - Long Inside Passage Half Spindle
  - 1" Wood Screws
  - Threaded Tubes & Machine Screws
- supplied upon request for Hollow-Core Doors*
- 2<sup>1</sup>/<sub>2</sub>" Deadbolt Mounting Screws
- Extended Full-Lip Strike Plate
- Deadbolt Strike Plate

- **Extended** Door Thickness: 2<sup>1</sup>/<sub>4</sub>"- 2<sup>3</sup>/<sub>4</sub>"
- Extended Components:
  - Extra Long Single Cylinder Tailpiece
  - Extra Long Inside Passage Half Spindle
  - 1" Wood Screws
  - Threaded Tubes & Machine Screws
- supplied upon request for Hollow-Core Doors*
- 3" Deadbolt Mounting Screws
- Extended Full-Lip Strike Plate
- Deadbolt Strike Plate