

Island Display Rack 3 & 4

Assembly Instructions for IDR3/IDR4 wine racks



Starter Kit Included Parts

- (2) IDR3 or ID4 UPRIGHT
- (6) WS33 or WS43
- (3) IDR-CR3
- (1) IDR-PR
- (18) WS Assembly Screw
- (4) Footer Pad
- (12) Crossrail Assembly Screw
- (2) IDR-PR Assembly Bolt
- (3) IDR-PR Assembly Screws
- (4) IDR-PR Assembly Washer

Required Tools

- (2) 14mm (or adjustable) wrenches
- 8mm Nut Driver (included)
- Alignment Tool (included)
- Drill with #2 Phillips Bit

Note: IDR Extension package contain only 1 IDRx-UPRIGHT and 2-footer pads

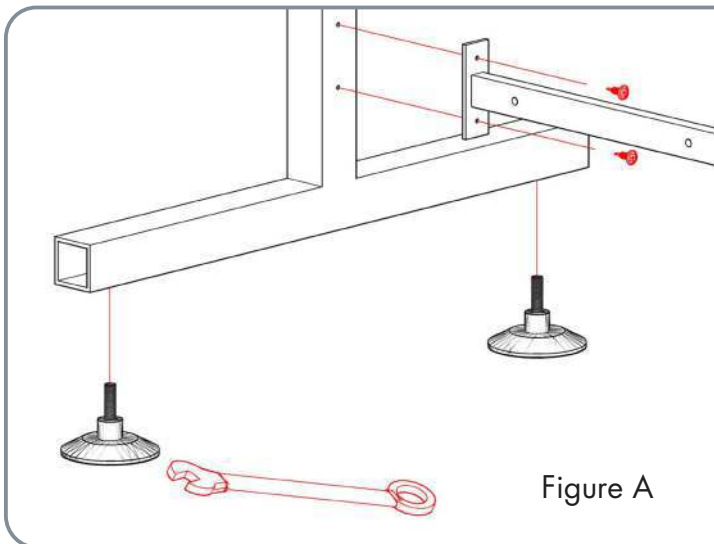


Figure A

1. Thread Footer Pads

Thread footer pads into the bottom of the uprights. Lay down one upright and attach all crossrails using the provided assembly screws in pre-drilled holes. Standing first upright up, attach second upright to crossrails.

FIGURE A

If using optional casters, please refer to those instructions for installation steps.

2. Build the Frame

Lay down one upright and attach all three crossrails using the provided crossrail assembly screws in the predrilled mounting holes. Do not fully tighten at this point to allow for adjustments during assembly. Stand up first upright and attach the second upright to crossrails.

3. Attach the Racks

Using two base cradling sides of the W Series wine racks (wider bottle holding impressions), and starting on the left side of the assembled frame, align the mounting holes in racks with the holes on crossrails. Temporarily place alignment tool through center hole in first rack,

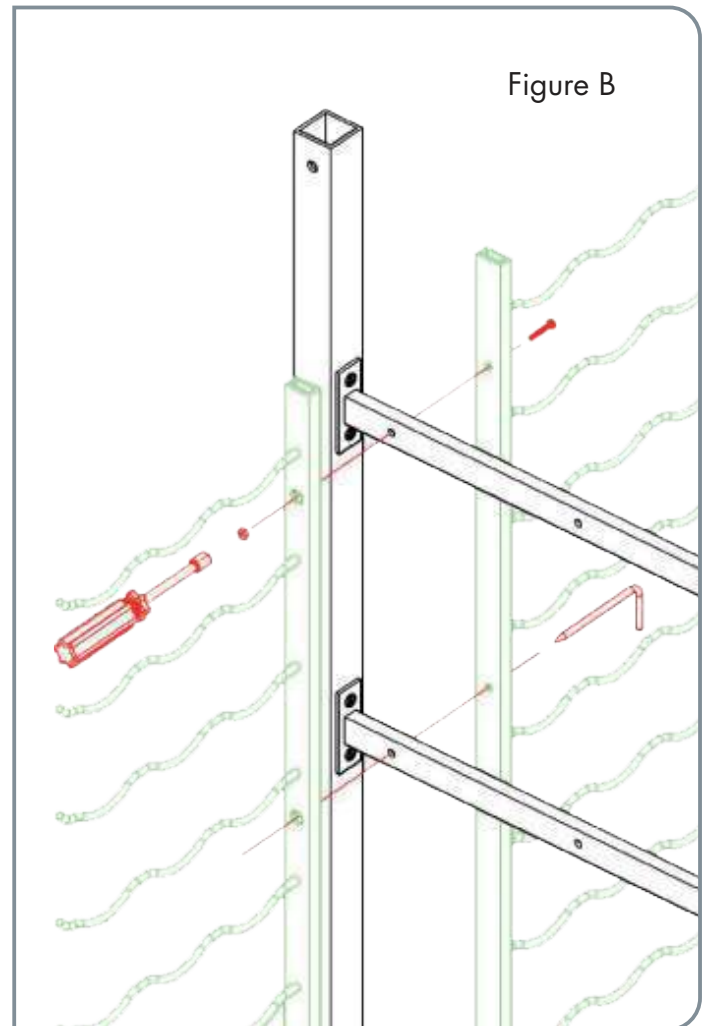


Figure B

crossrail and the center hole in second rack. Attach racks to crossrails. After securing top and bottom of racks, remove alignment tool and replace with assembly screw. Repeat for each rack set, alternating between base and neck sets. **FIGURE B**

4. Assemble Presentation Rack

Position presentation racks back to back as shown. Using nut driver (included), a Phillips head screwdriver (not included) attach presentation racks



with presentation rack assembly screws. Fully tighten.

FIGURE C

5. Mount presentation rack to frame

Align presentation rack mounting plate to the mounting

hole on upright. With the presentation rack assembly bolt, and washer, insert bolt through presentation rack and upright, complete with second washer, and nut. Tighten with 14mm open end wrench (not included). Repeat for second side. **FIGURE D**

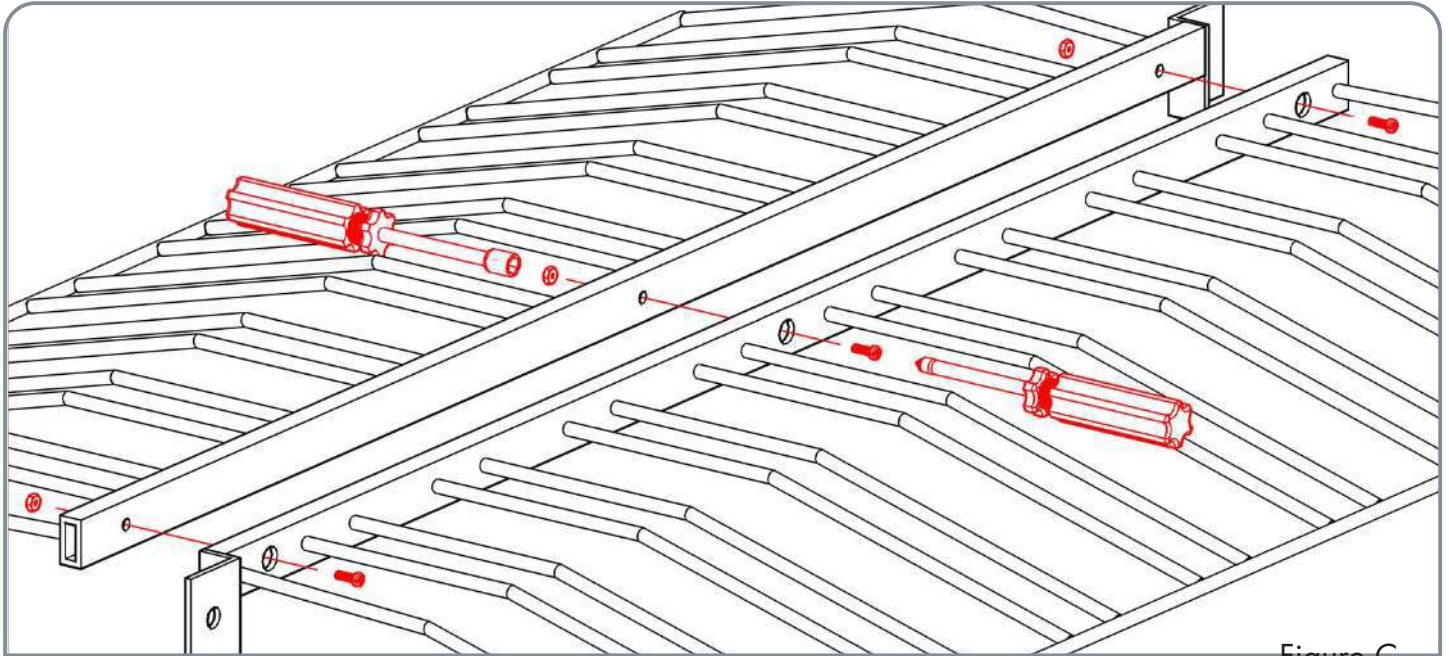


Figure C

6. Last Details

Fully tighten all screws (especially Crossrail Assembly Screws) and snap mounting hole covers in place. Fill with wine and enjoy!

7. Add Wine.

Only the good stuff.

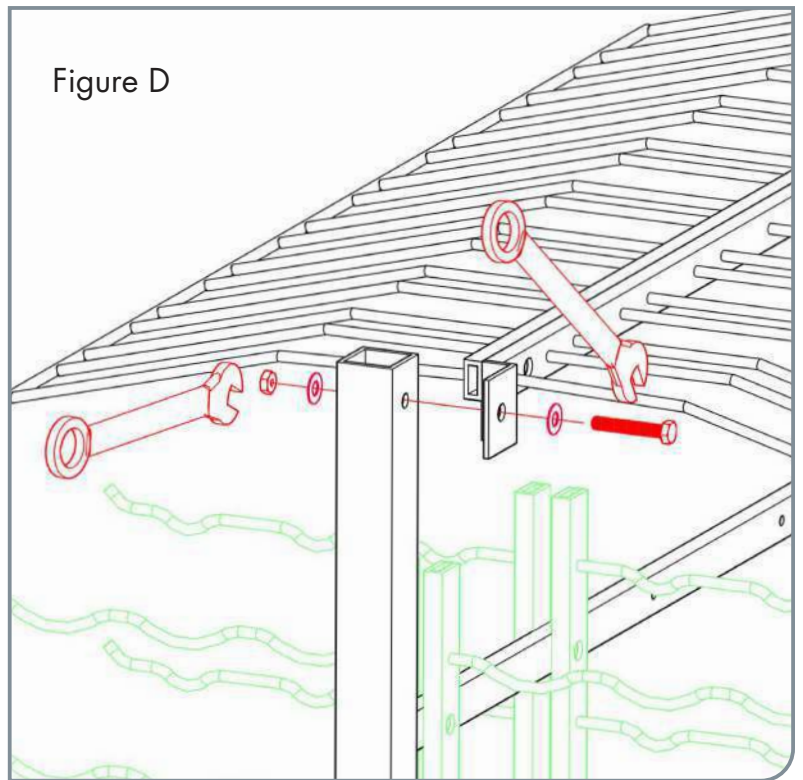
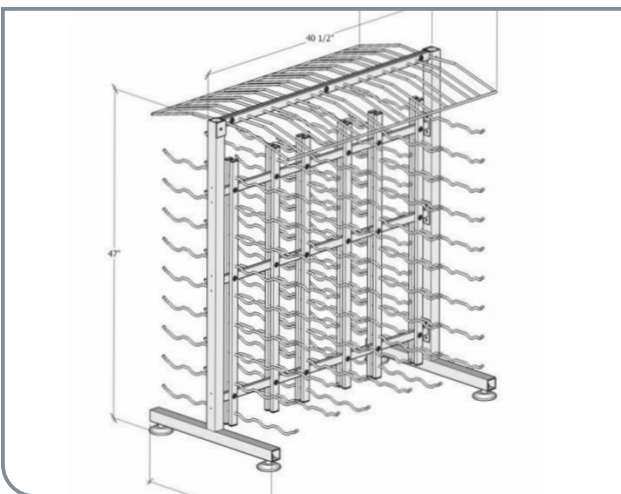


Figure D





VINTAGEVIEW®

MOVING WINE STORAGE FORWARD