



## FCF-HIDDEN Installation Instructions

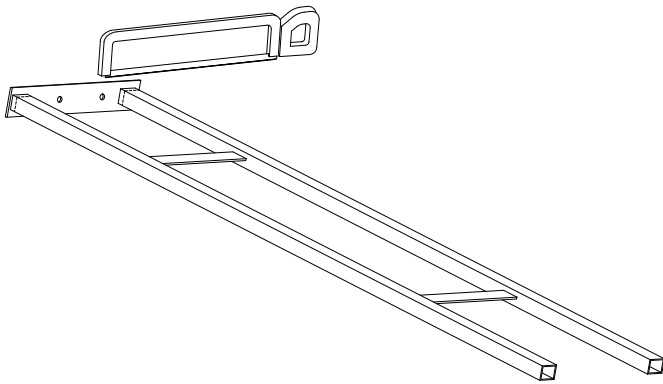
**Required tools:** Phillips Head Driver / Drill  
Metal Cutting Saw  
Tape Measure

Level  
Pencil  
Metal File

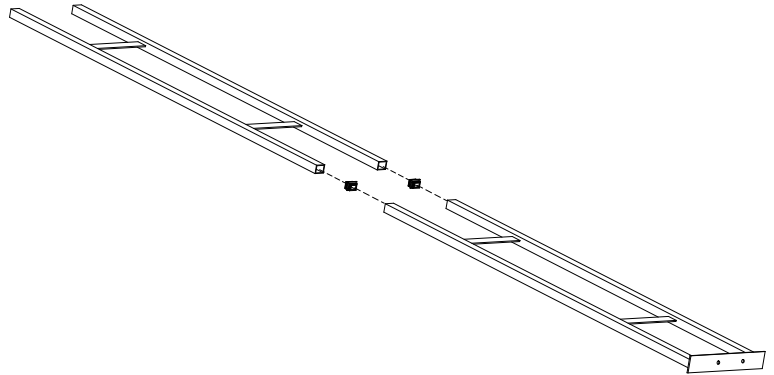
**Included Parts:** 2 FCF-HIDDEN  
2 Self Drilling Screws

**1. Cut one of the welded mounting plates off from FCF-HD - NOTE:** These instructions presume that FCF-HIDDEN will be used in both the top AND bottom of the Floor to Ceiling Frame. Please adjust accordingly if only using FCF-HIDDEN at one end.

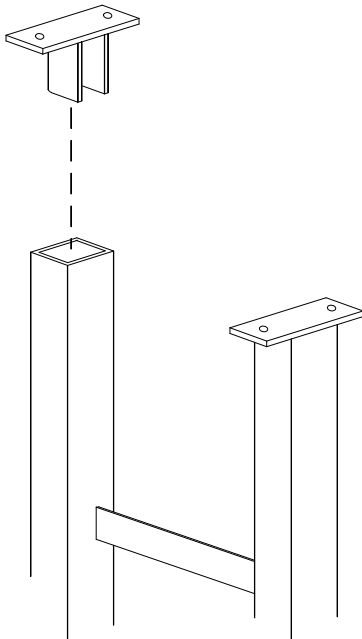
On one section of the FCF-HD only, squarely cut the posts flush with the mounting plate to remove the mounting plate. Clean off any resulting burrs with a metal file. This will leave one section with a mounting plate and the other open ended at both ends.



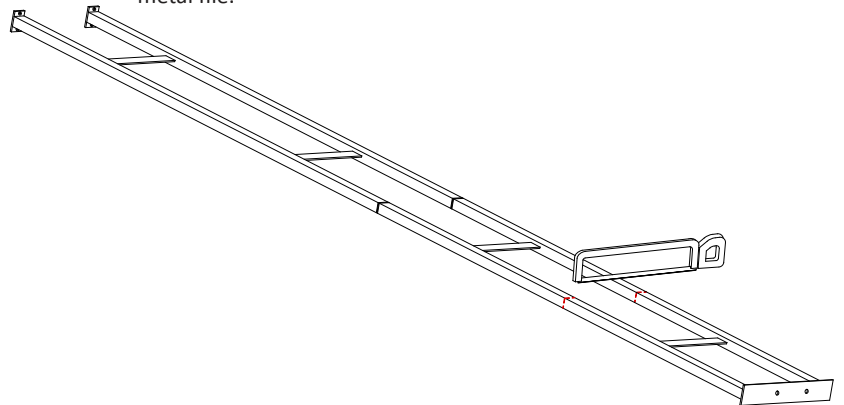
**2. Assemble the frame** - Locate the plastic couplers that came with the FCF-HD and insert them into the open end of one section of FCF-HD. Taking care to appropriately protect the frame and your work surface / floor from damage, slide the two sections of FCF-HD frame together, so that the couplers are fully seated in both sections of the FCF-HD.



**3. Insert the FCF-HB pieces** - Slide the FCF-HIDDEN pieces into the open ends of the Floor to Ceiling Frame, with the mounting holes positioned toward the front and back of the Frame as shown below. For maximum rigidity when installed, it is recommended that a self drilling screw be inserted through the side wall of the frame and into the "U" channel of each bracket.



**4. Mark and cut the frame to length** - Take a precise measurement of the floor to ceiling distance in the exact spot that the frame is to be installed and subtract 1/8 inch (the thickness of the FCF-HIDDEN base plate) and write down the resulting measurement. Starting from the end with the FCF-HIDDEN base plates already installed, measure toward the end with the welded mounting plate still in place and mark both uprights with the measurement written down; so that the remaining welded mounting plate will be cut off. Cut the frame squarely at the marked locations and carefully remove any burrs with a metal file.



**5. Complete the installation** - Install the second set of FCF-HIDDEN following the procedure in step 3 and refer to the Floor to Ceiling Frame (FCF) installation instructions to complete the remaining installation steps, ensuring that screws are securely fastened into both mounting holes in each FCF-HIDDEN bracket.