



VINTAGEVIEW®

MOVING WINE STORAGE FORWARD

Wine Master Cellars, LLLP • 10645 E 47th Ave, Denver, CO 80239 • phone: 866.650.1500 • fax: 866.650.1501 • VintageView.com

FCF-ANGLE Installation Instructions

Required tools: Phillips Head Driver / Drill

Metal Cutting Saw

Tape Measure

Level

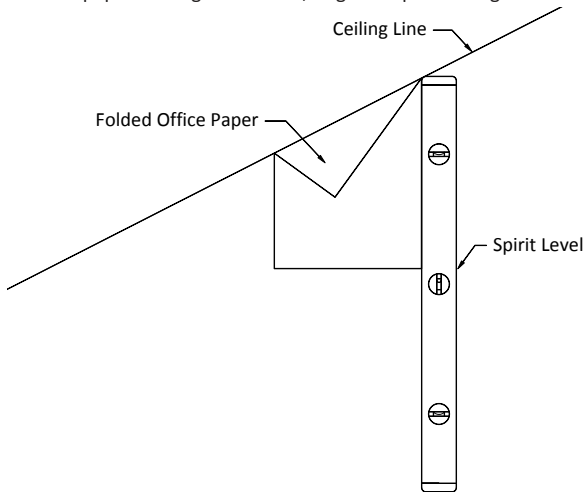
Pencil

Metal File

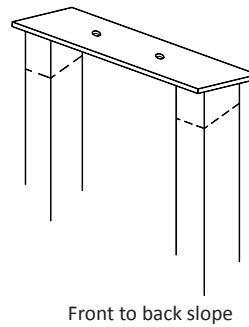
Included Parts: 2 FCF-HIDDEN

2 Self Drilling Screws

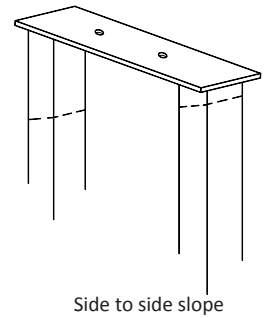
1. **Measure angle of ceiling** - Use a protractor, speed square or simply fold a sheet of paper held against a level, to get the precise angle of the ceiling slope.



2. **Cut the existing mounting plate off one section of frame** - Mark the angle obtained from the prior step on the frame and use a hack saw, portable band saw or a reciprocating saw with a metal cutting blade to cut the existing mounting plate off of one frame piece.



Front to back slope

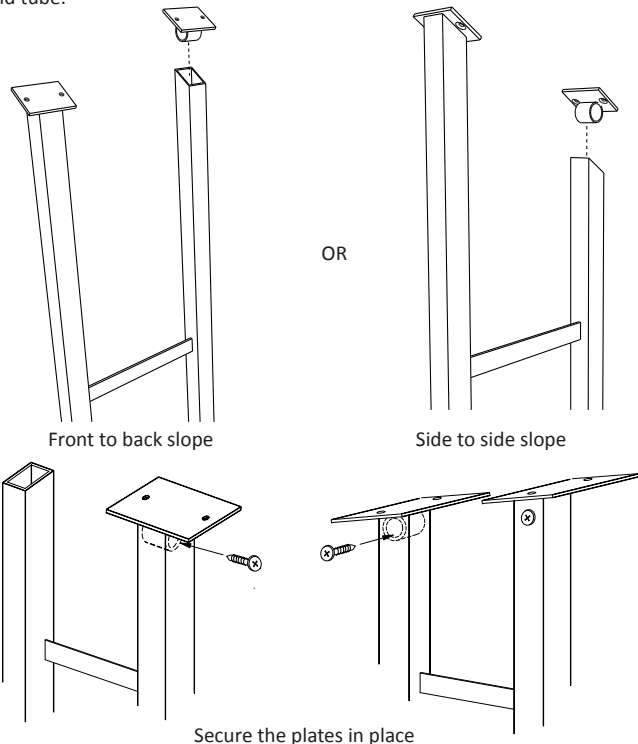


Side to side slope

OR

3. **Insert the FCF-ANGLE pieces** - Slide the FCF-ANGLE pieces into the newly cut end of the FCF-HD, with the open end of the round tube facing the longest edge of the cut.

Recommended: The FCF-ANGLE may be locked into place using a self drilling screw to pierce through the side of the FCF-HD and into the open end of the round tube.



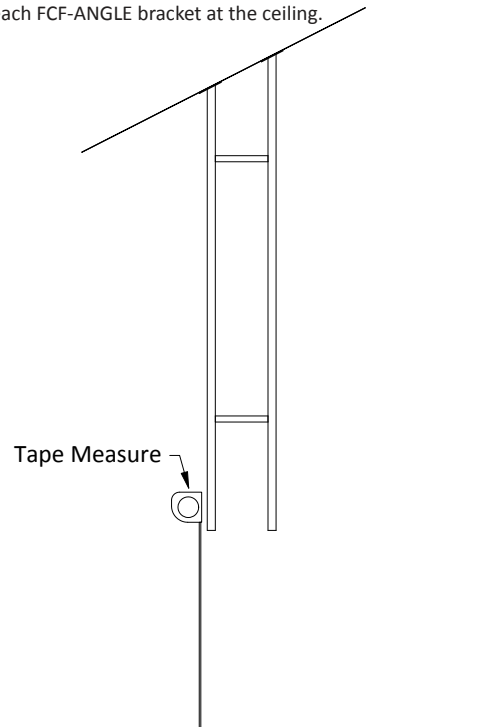
Front to back slope

Side to side slope

Secure the plates in place

4. **Measure the floor to ceiling height** - Have a helper hold the frame section with the brackets installed in place at the ceiling, measure the distance from the bottom of the frame to the floor. Subtract 1/16 of an inch (for the coupler) and, starting with step #2, follow the remaining installation instructions for the FCF-HD.

NOTE: Be certain to securely install appropriate fasteners into both mounting holes on each FCF-ANGLE bracket at the ceiling.



Tape Measure

For product warranty information, please visit: VintageView.com/support/warranty
We're here to help, call us at 866-650-1500 with any questions.