

FCF-2WB Installation Instructions

Required tools: Phillips Head Driver / Drill
Metal Cutting Saw
Tape Measure

Level
Pencil
Metal File

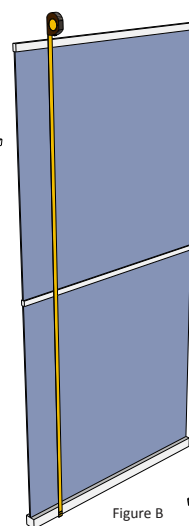
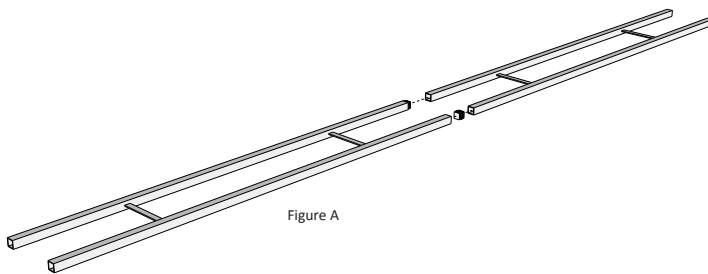
Included Parts: 2 Pieces FCF-2WB

Fasteners:

There are pre-drilled mounting holes in each mounting plate. Appropriate fasteners for your surface must be utilized in every mounting hole for proper installation. Hardware for attaching the brackets to the wall are not included. We recommend the following fasteners for these surfaces:

- Drywall installations should attach to joists or wood backing when available with a #8 X 1-1/2" course thread screw or larger alternatively, use expanding hollow wall anchors with at least #8 screw size
- Wood surfaces use #8 X 1-1/4 course thread screws or larger
- Concrete, Brick or Stucco: 3/16" x 1 1/4" masonry screw or #8 x 1 1/4" screw with appropriate size expanding concrete anchor

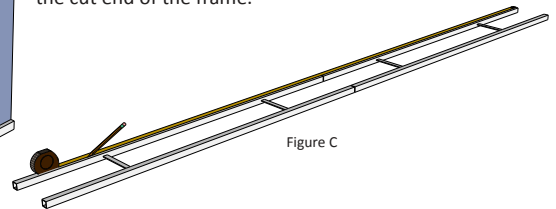
1. Assemble the frame - Insert the plastic couplers into the open ends of one frame section and slide the second frame section over the exposed ends of the couplers (Figure A), ensuring both sections are seated flush against the coupler.



2. Measure height of the connection points - Measure the distance from the floor to the centerline where the wall brackets will attach (Figure B). Add 3/8" (9.5mm) from the measured height (to allow for the thickness of the bottom mounting plate and the offset of the wall bracket) and mark the calculated distance on both legs of the frame.

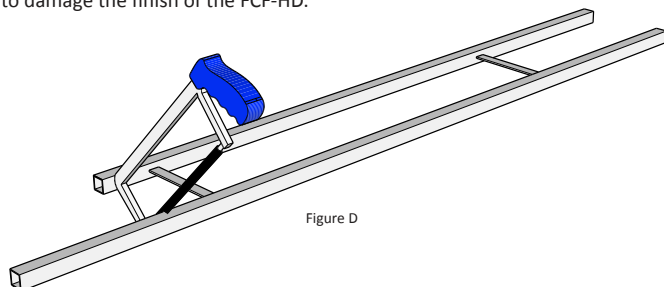
Measured Distance + 3/8" = Frame Height

Note: If the calculated measurement aligns with one of the cross members, cut 2 inches (52mm) off one end of the frame and then mark the cut lines, measuring away from the cut end of the frame.

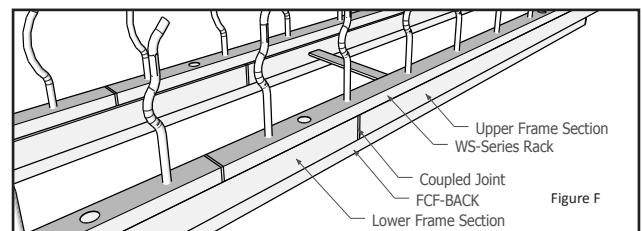
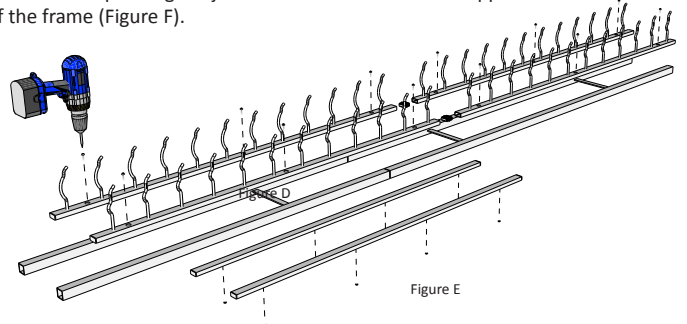


3. Cut the frame - Using a reciprocating saw, band saw or hack saw with the appropriate blade; squarely cut both legs of the frame at the marks from Step 2 (Figure D). With a metal file, carefully remove any resulting burrs from the cuts.

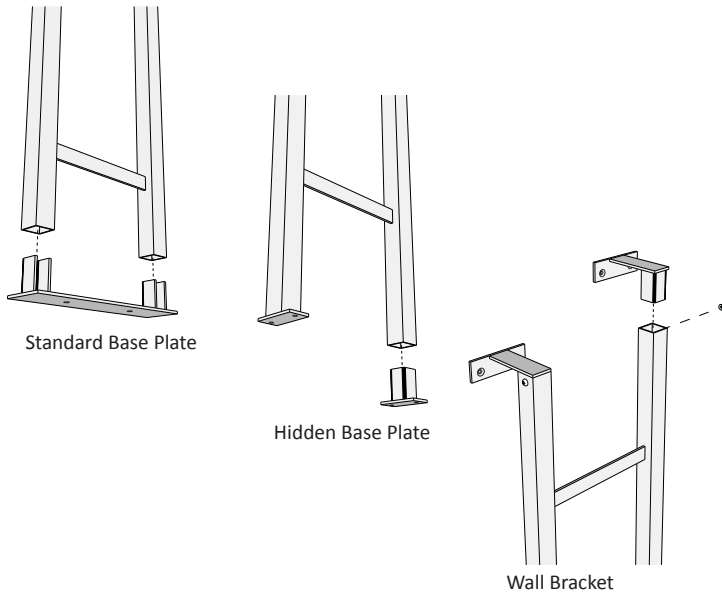
Note: An abrasive cut-off saw should not be used, as the heat generated is likely to damage the finish of the FCF-HD.



4. Attach the racks - Secure the WS-Series racks and/or FCF-BACK to the front and back faces (Figure E), ensuring that the coupled joint of the frame is spanned by the back strip of a WS-Series rack or an FCF-BACK and that the rack or FCF-BACK spanning the joint is screwed into both the upper and lower sections of the frame (Figure F).



5. **Insert the mounting plates** - Slide the C-channels of the base mounting plate(s) into the bottom of the frame, ensuring that the frame is seated flush against the horizontal plate. Then, install the wall brackets, and secure both sets with a self-drilling screw through the side of the frame.



6. **Install the frame** - Position the assembled frame, ensuring it is plumb both front to back and side to side using a level and fasten at the top through all available mounting holes (Figure G). Then, secure the bottom of the frame through the holes in the mounting plates.

Refer to the detail images below for the mounting plate option that applies to your installation.

Note: For installation of the Hidden Base Plate, it may be necessary to temporarily remove the lower rack to easily access the mounting hole.

