

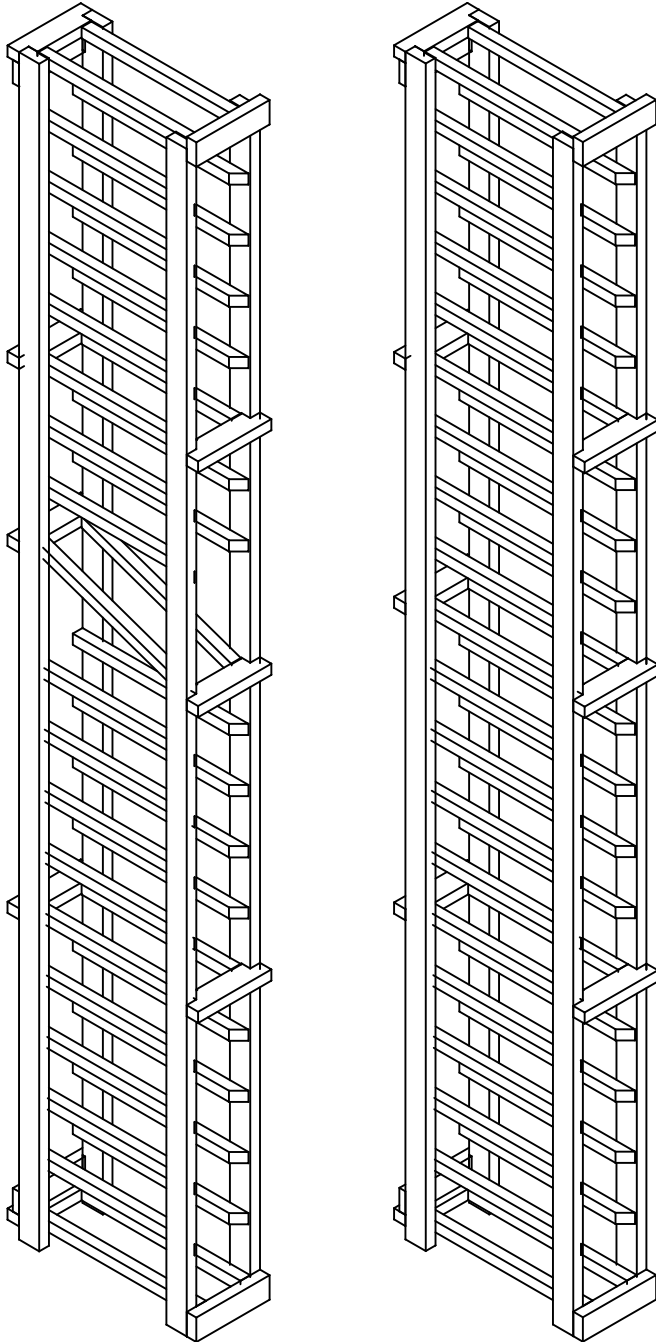
# Designer Kit Series Assembly Manual

## for 1 Column Individuals with and without Display

**\*\* 1 Column with Display shown throughout manual \*\***

1COLDS

1COL



Designer Kit Series Item Codes

D\*\*-\*\*-1COL

D\*\*-\*\*-1COLDS

### Industry Leading Replacement Policy :

If during transit or assembly you should break or damage any of the parts you may contact us within 90 days of the ship date and we will ship you a replacement part via ground transportation at no additional cost to you.

**Wine Cellar Innovations**  
4575 Eastern Avenue  
Cincinnati, Ohio 45226

Phone: (800) 229-9813  
Fax: (513) 979-5280  
[www.winecellarinnovations.com](http://www.winecellarinnovations.com)

Parts List

D\*\*-\*\*-1COLDS

#	qty.	description
A	8	2 Notch Spacerbars
B	2	Top/Bottom Back Brace
C	2	Square Base/Crown
D	1	Left Rack
E	1	Right Rack

D\*\*-\*\*-1COL

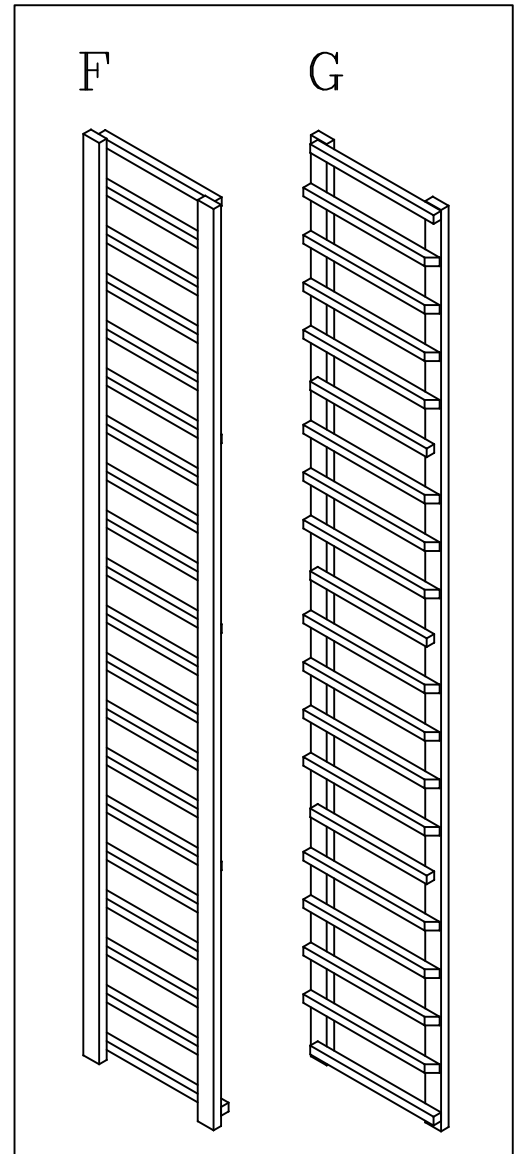
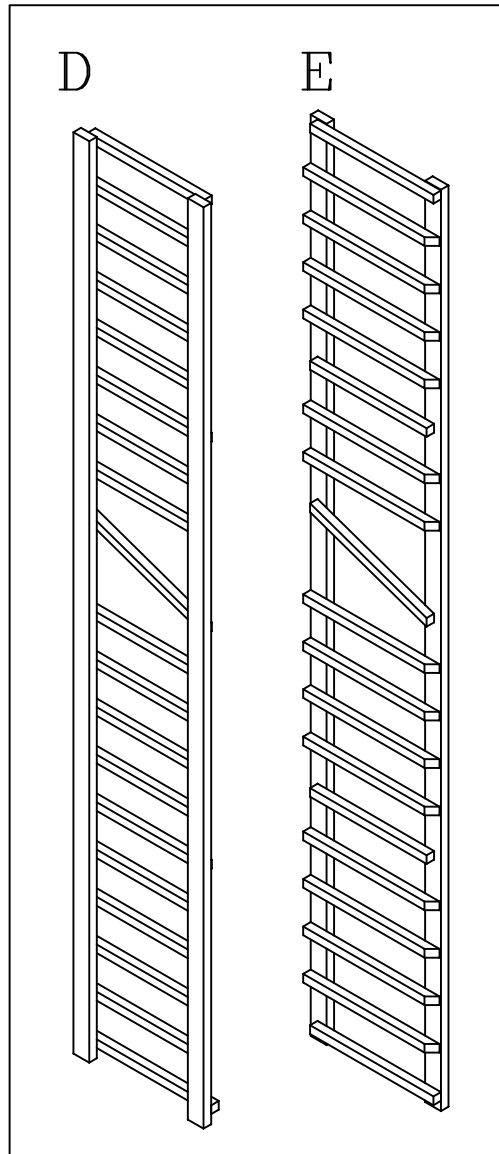
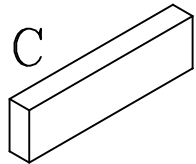
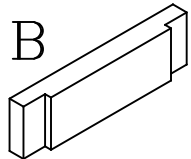
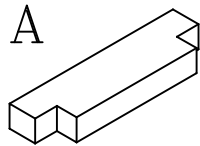
#	qty.	description
A	8	2 Notch Spacerbars
B	2	Top/Bottom Back Brace
C	2	Square Base/Crown
F	1	Left Rack
G	1	Right Rack

Note : All racks will include:

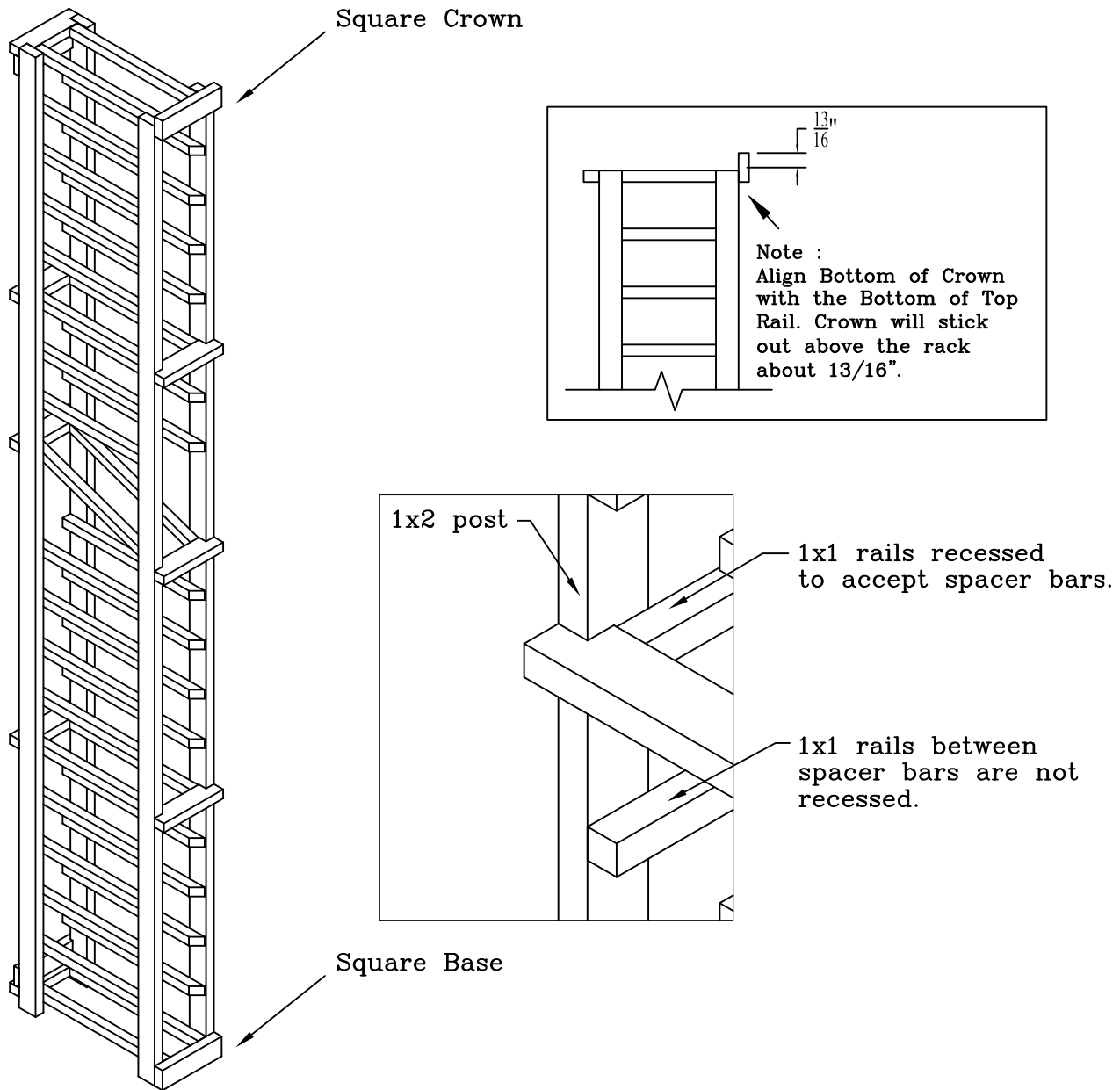
*	1	Hardware Pack containing
*	1	Bag of Nails 1 angle bracket 1 plastic anchor 1 1" #8 screws 1 5/8" #6 screws

D\*\*-\*\*-1COLDS

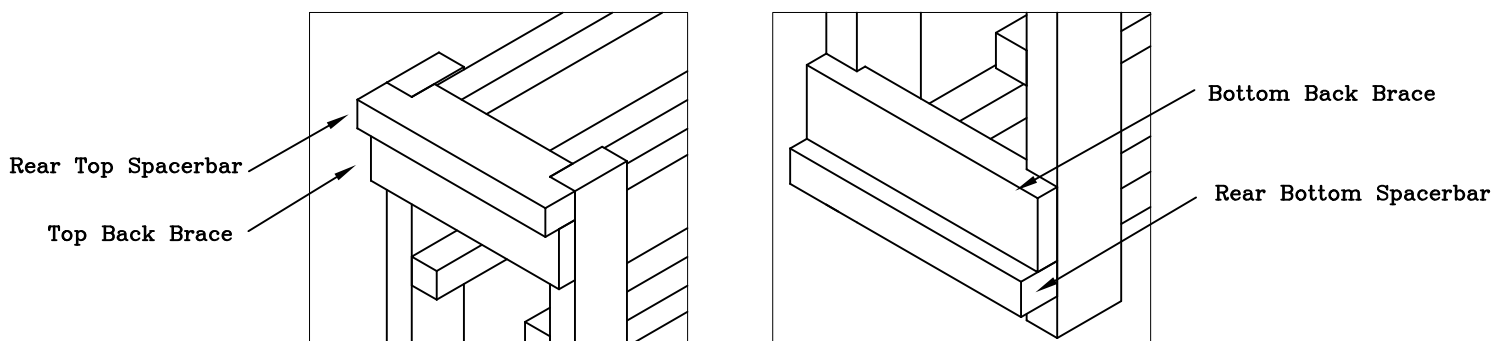
D\*\*-\*\*-1COL



1. Attach (8) spacer bars to racks with nails. (5) at the Back and (3) at the Front. Also attach 1 Square Base and 1 Square Crown. This can be done with the provided nails or with a brad nailer.

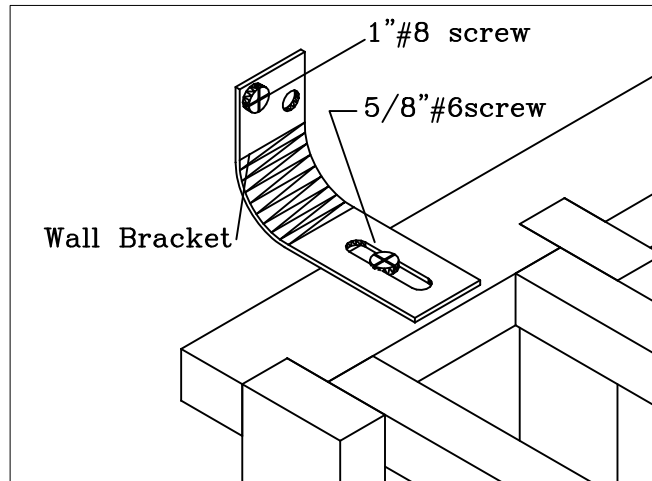


2. Attach 1 Back Brace Below Top Rear Spacerbar and another on Top of Bottom Rear Spacerbar. Attach the same way as step 1.



## Final Step

Secure to the Wall



Secure rack to wall by attaching wall brackets to top back spacer bar or solid top. You will have 1 bracket on the left and 1 on the right.

Wine Rack is Complete

Note : Always remove bottles before moving rack